

Specifications

Current rating:3AAC,DC

Voltage rating:250V AC,DC

Temperature range:-25°C TO+125°C
(including temperature rise)

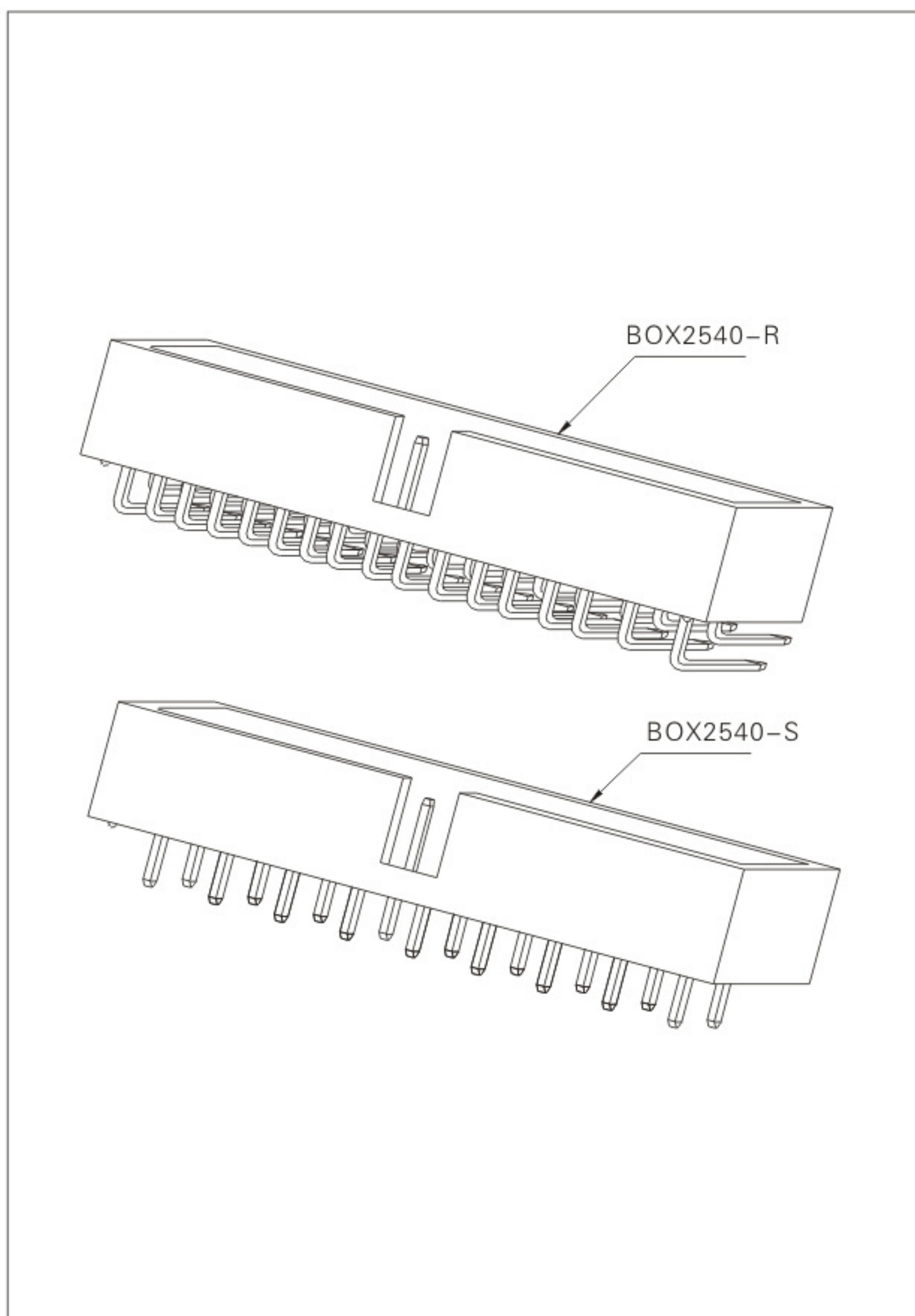
Contact resistance:Initial value/20m Ω Mak

After environmental testing/20m Ω Mak

Insulation resistance:1000M Ω MIN

Withstarnding voltage:1000V AC/minute

Assembly layout

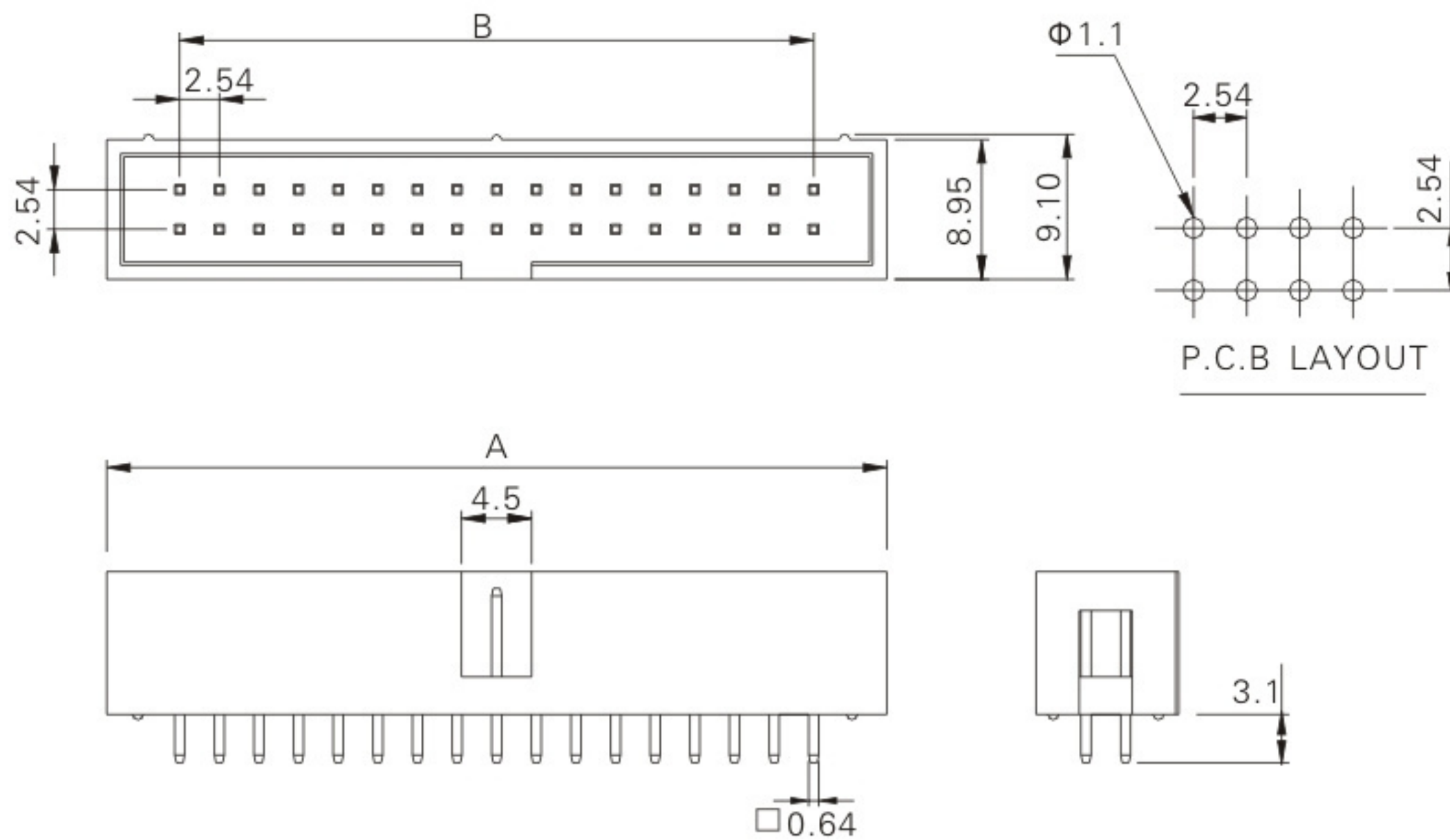


BOX 2540-S (2.54mm box header)

Reference Informations:

*Mat'l: Body:PBT UL94V-0

*Pins: Brass gold or tln plated



Ordering Information & Dimensions

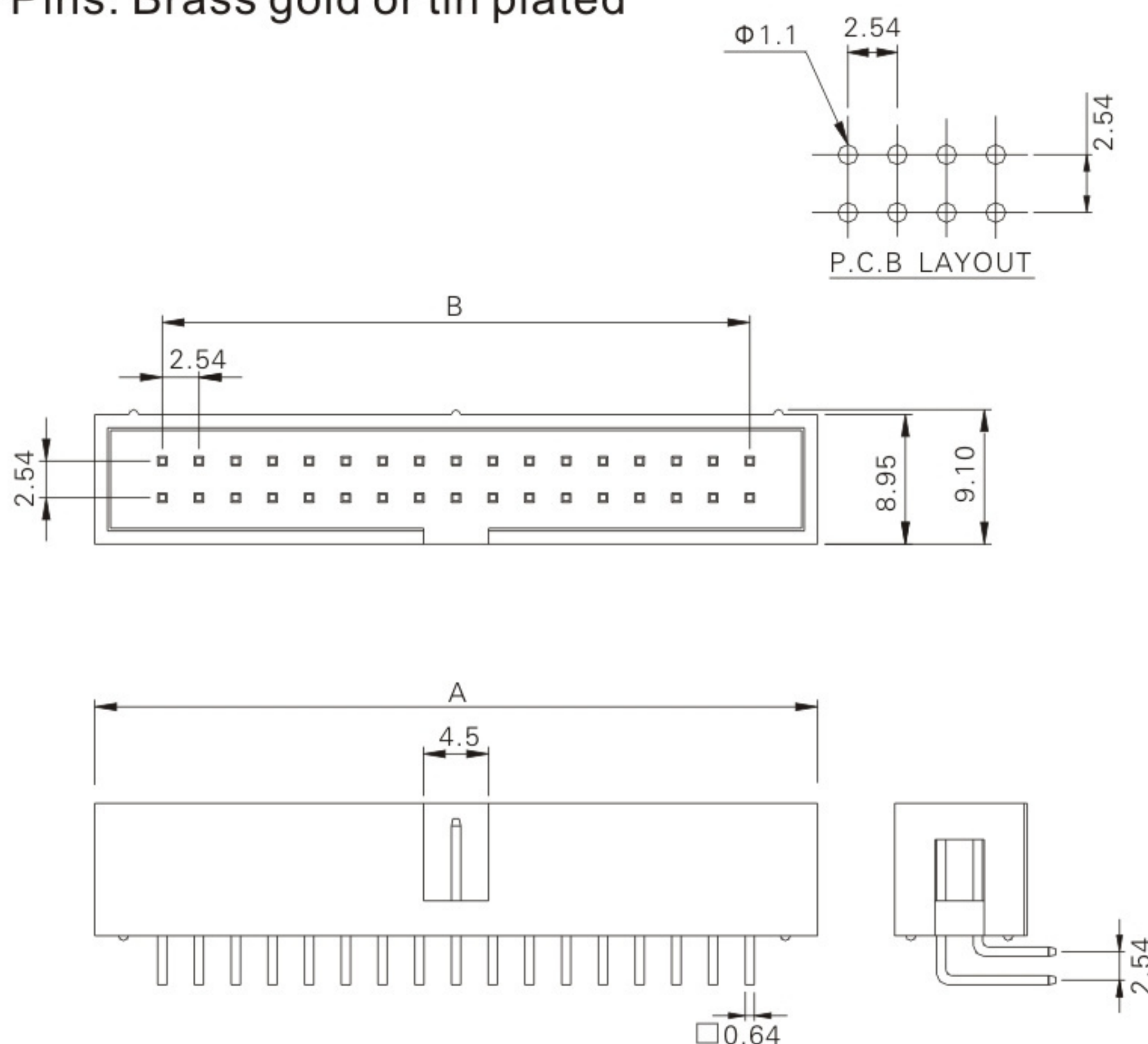
Circuits	Part No.	DIM.(mm)	
		A	B
03	BOX2540-S(2X03)	15.32	5.08
04	BOX2540-S(2X04)	17.86	7.62
05	BOX2540-S(2X05)	20.40	10.16
06	BOX2540-S(2X06)	22.94	12.70
07	BOX2540-S(2X07)	25.48	15.24
08	BOX2540-S(2X08)	28.02	17.78
10	BOX2540-S(2X10)	33.10	22.86
12	BOX2540-S(2X12)	38.18	27.94
13	BOX2540-S(2X13)	40.72	30.48
15	BOX2540-S(2X15)	45.80	35.56
17	BOX2540-S(2X17)	50.88	40.64
20	BOX2540-S(2X20)	58.50	48.26
22	BOX2540-S(2X22)	63.58	53.34
24	BOX2540-S(2X24)	68.66	58.42
25	BOX2540-S(2X25)	71.20	60.96
30	BOX2540-S(2X30)	83.90	73.66
32	BOX2540-S(2X32)	88.98	78.74

BOX 2540-R (2.54mm box header)

Reference Informations:

*Mat'l: Body:PBT UL94V-0

*Pins: Brass gold or tln plated



Ordering Information & Dimensions

Circuits	Part No.	DIM.(mm)	
		A	B
03	BOX2540-R(2X03)	15.32	5.08
04	BOX2540-R(2X04)	17.86	7.62
05	BOX2540-R(2X05)	20.40	10.16
06	BOX2540-R(2X06)	22.94	12.70
07	BOX2540-R(2X07)	25.48	15.24
08	BOX2540-R(2X08)	28.02	17.78
10	BOX2540-R(2X10)	33.10	22.86
12	BOX2540-R(2X12)	38.18	27.94
13	BOX2540-R(2X13)	40.72	30.48
15	BOX2540-R(2X15)	45.80	35.56
17	BOX2540-R(2X17)	50.88	40.64
20	BOX2540-R(2X20)	58.50	48.26
22	BOX2540-R(2X22)	63.58	53.34
24	BOX2540-R(2X24)	68.66	58.42
25	BOX2540-R(2X25)	71.20	60.96
30	BOX2540-R(2X30)	83.90	73.66
32	BOX2540-R(2X32)	88.98	78.74