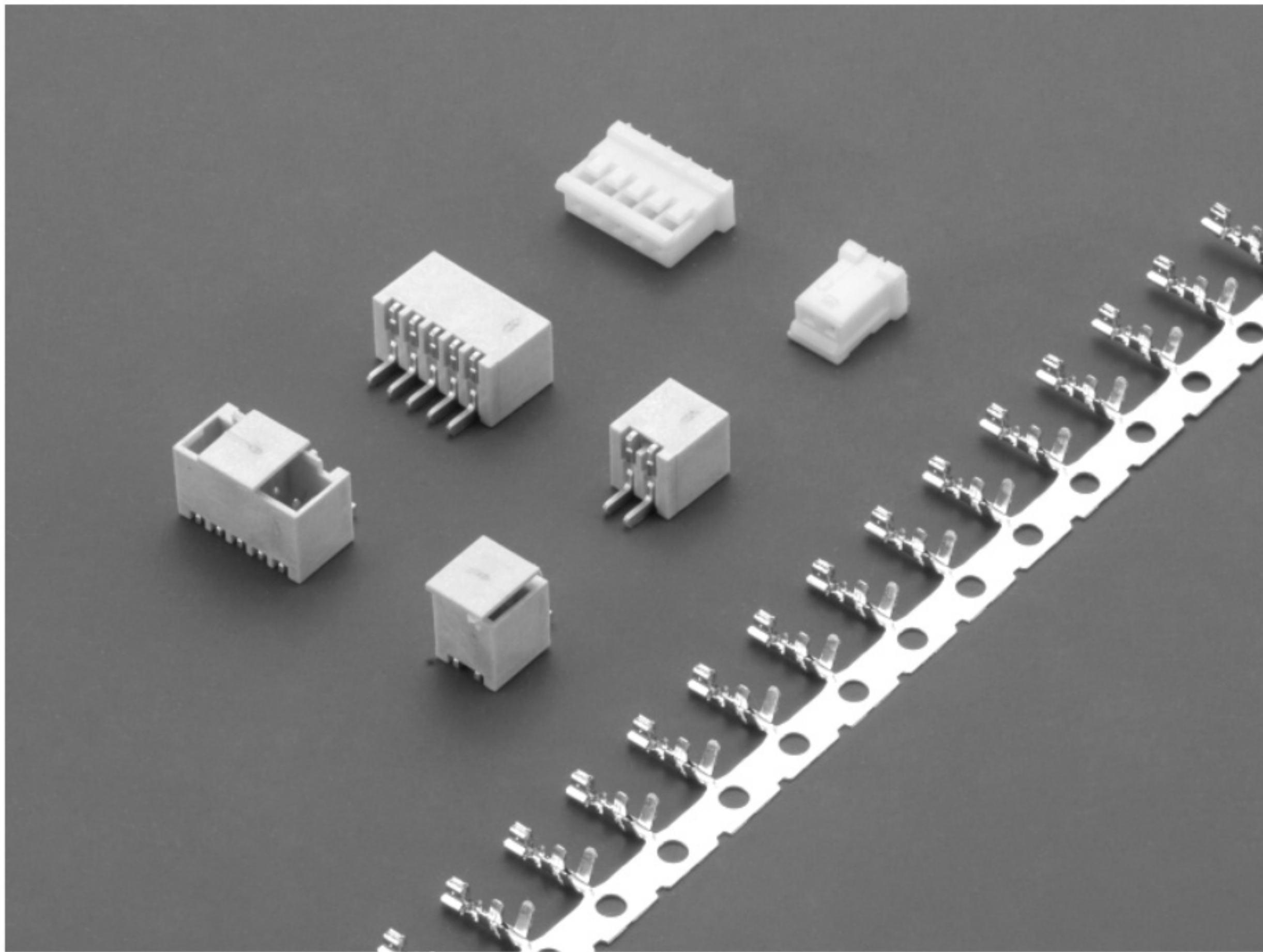


1501H SERIES

1.50mm PITCH WIRE TO BOARD CONNECTOR



Specifications

Current rating: 1A AC,DC

Voltage rating: 250V AC,DC

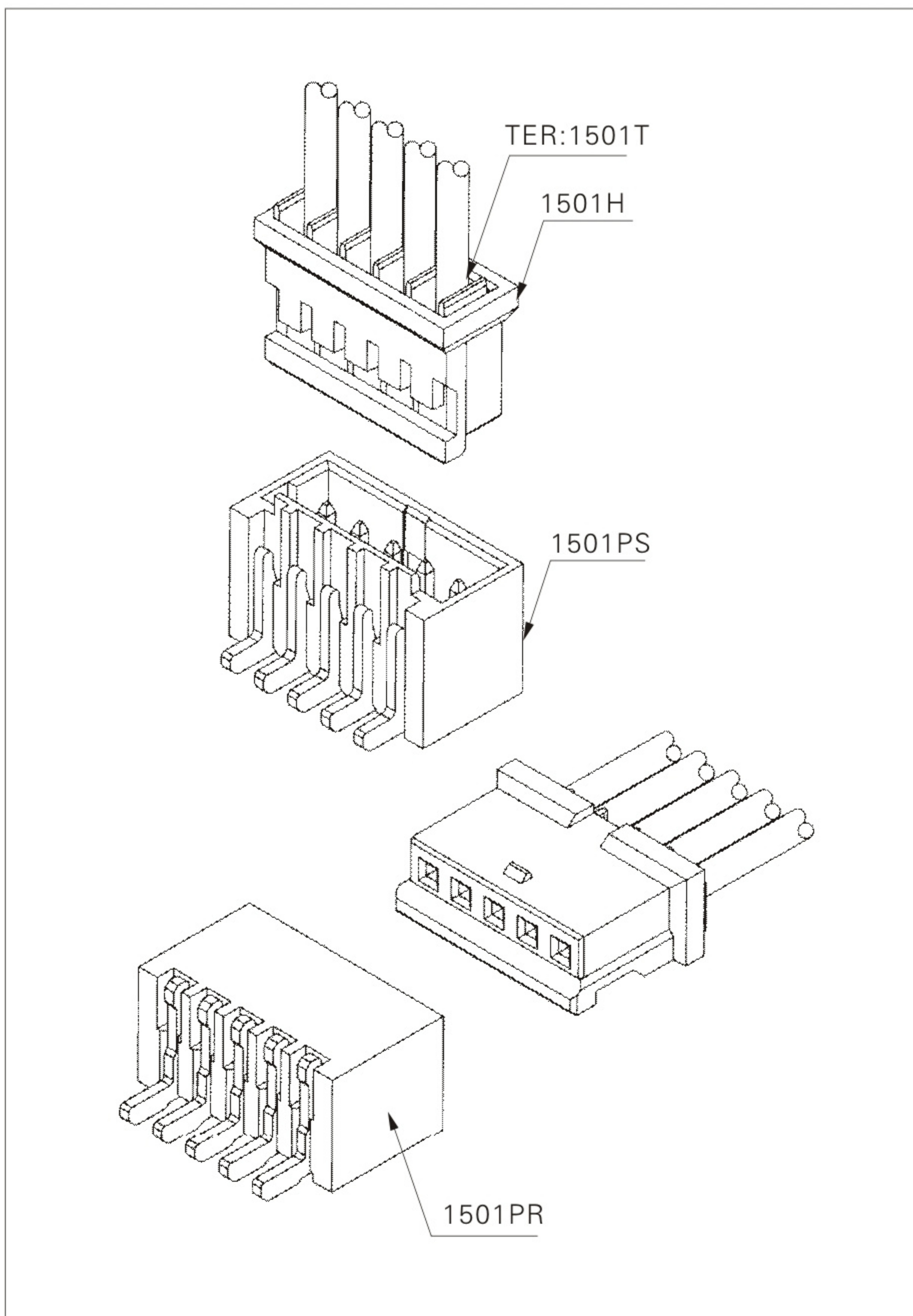
Temperature range: -25°C~+85°C

Contact resistance: 20mΩ Max.

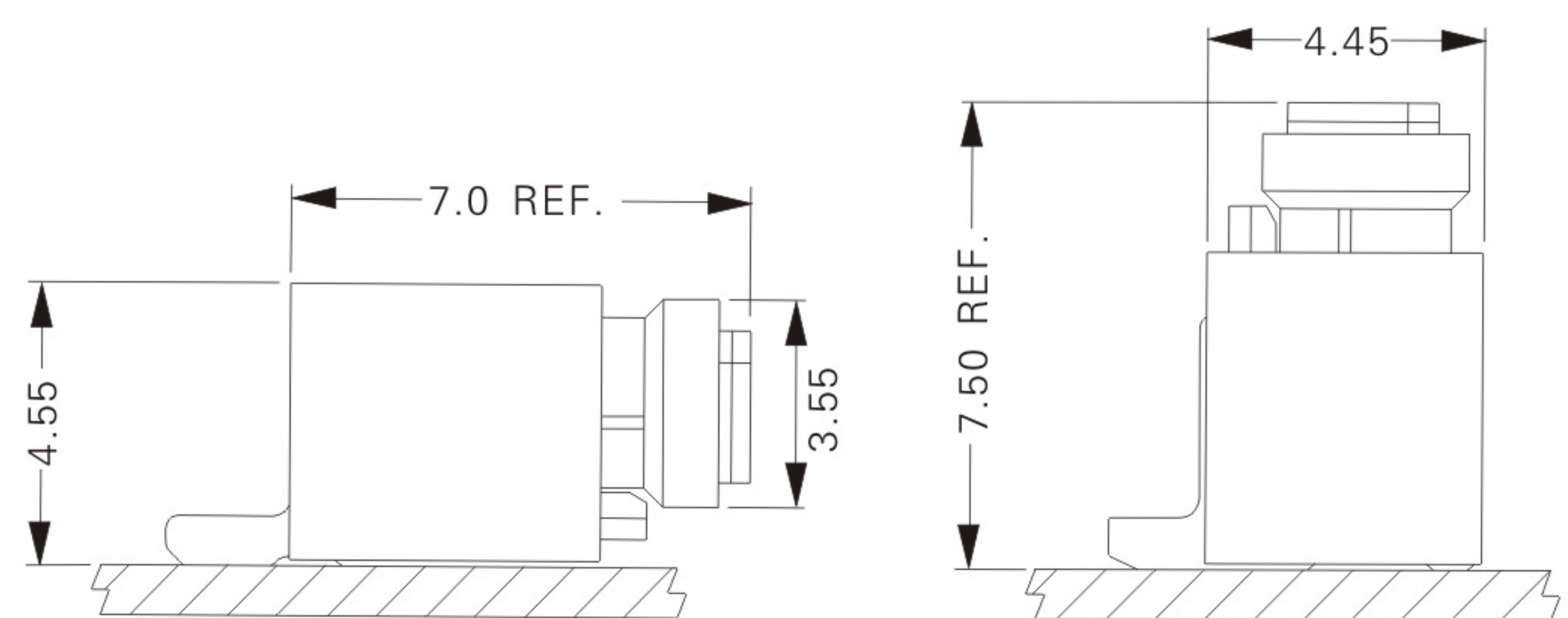
Insulation resistance: 1000MΩ Min.

Withstanding voltage: 500V AC/minute

Applicable wire: AWG#26-#30



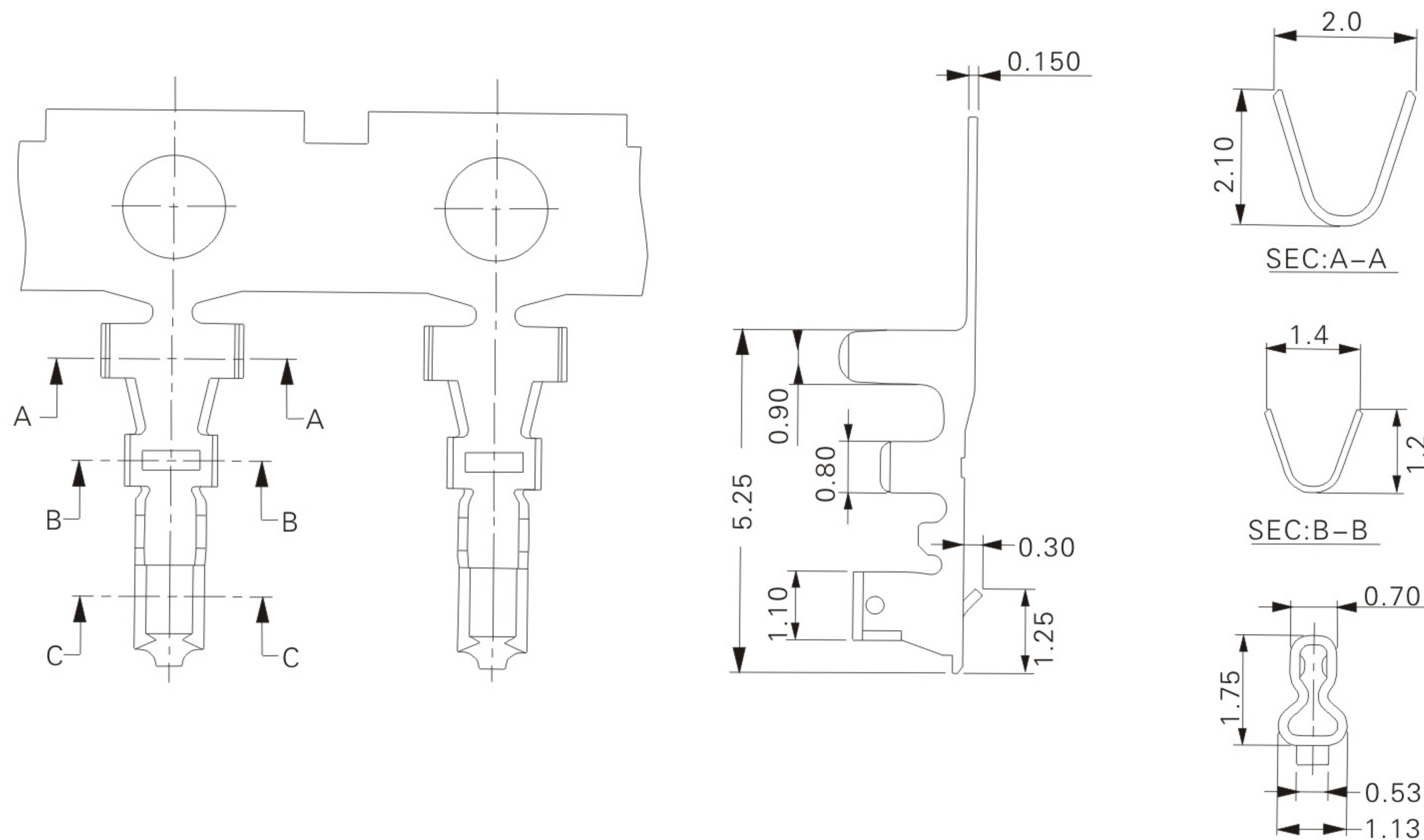
Assembly layout



1501-T (1.50mm pitch crimp terminal)

Reference Informations:

*Used in 1501H Series Housing



Ordering Information & Specifications

Unit: mm

Part No.	Wire Range	Insulation O.D.	Material	Finish	Qty/reel
1501P	AWG#26-#30	1.15mm(max)	Phosphor Bronze	Tin-plated	10,000pcs

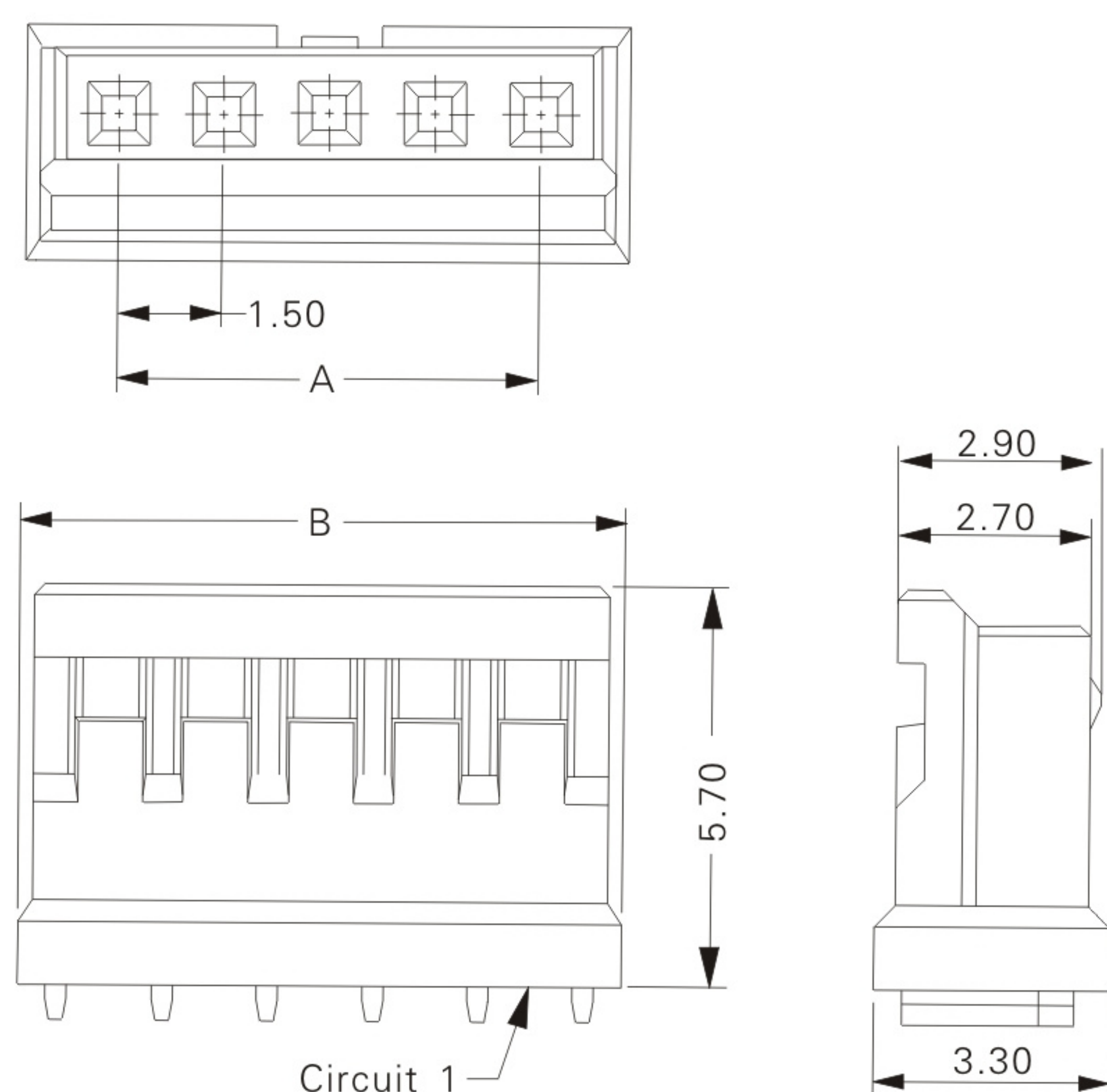
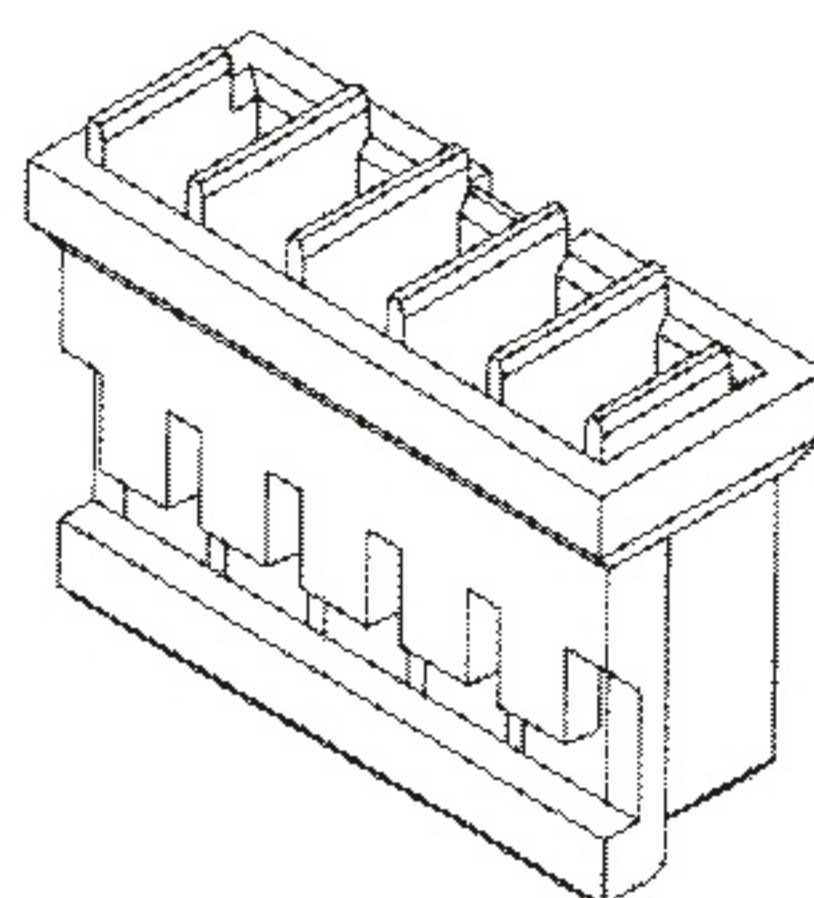
1501H-NP (1.50mm pitch crimp housing)

Reference Informations:

*Material: Nylon66, UL94V-0

*Suitable 1501-T series Terminal

*Mates With 1501PS & 1501PR series Wafer



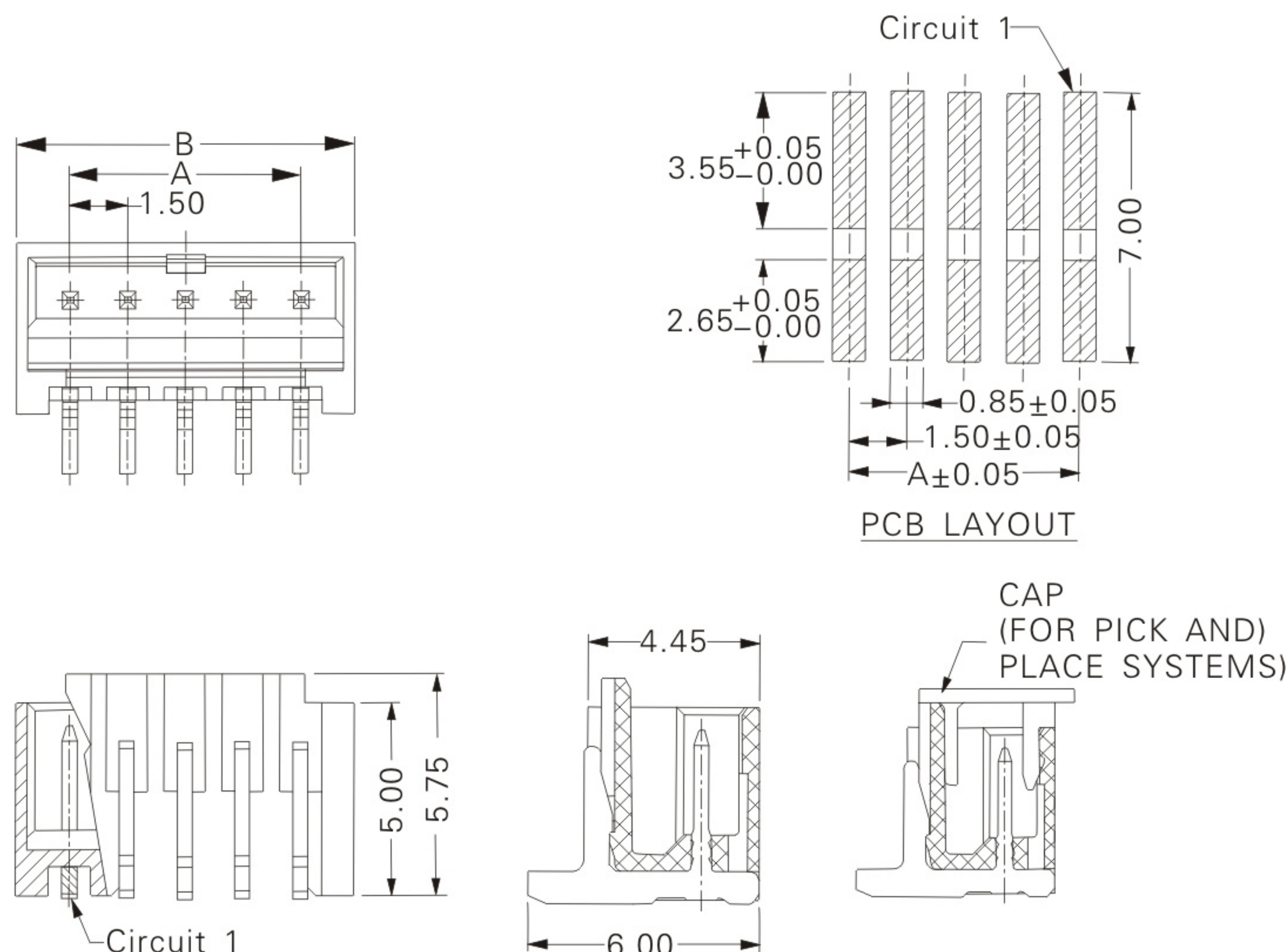
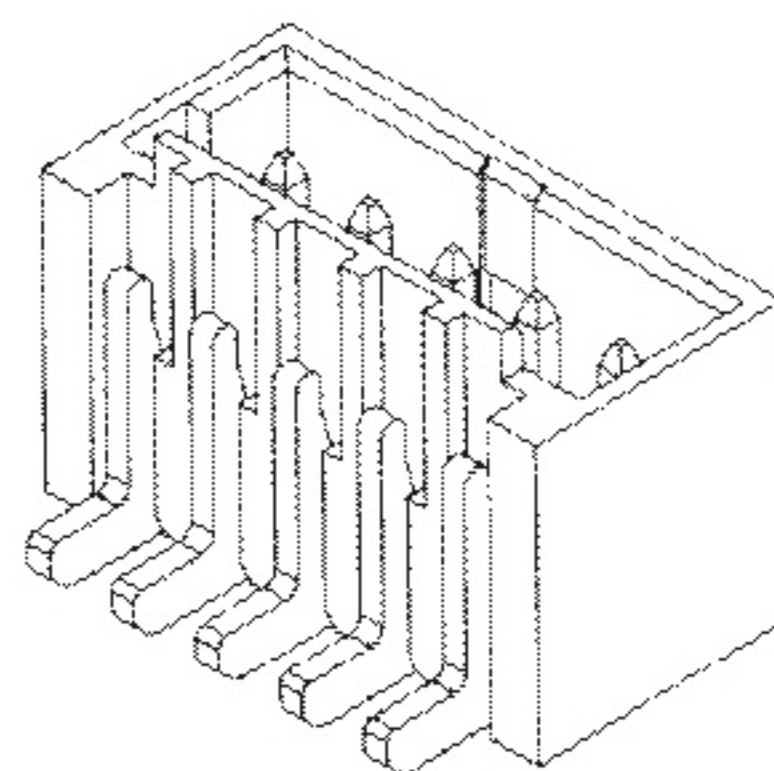
Ordering Information & Dimensions

Circuits	Part No.	DIM.(mm)	
		A	B
02	1501H-02P	1.50	4.00
03	1501H-03P	3.00	5.50
04	1501H-04P	4.50	7.00
05	1501H-05P	6.00	8.50
06	1501H-06P	7.50	10.00
07	1501H-07P	9.00	11.50
08	1501H-08P	10.50	13.00
09	1501H-09P	12.00	14.50
10	1501H-10P	13.50	16.00
11	1501H-11P	15.00	17.50
12	1501H-12P	16.50	19.00
13	1501H-13P	18.00	20.50
14	1501H-14P	19.50	22.00
15	1501H-15P	21.00	23.50

1501PS-NP-SMT (1.50mm pitch 180° wafer-SMT TYPE)

Reference Informations:

- *Material:Pin:Brass/Tin-plated
Wafer:Nylon 6T UL94V-0
Cap:Nylin 6T UL94V-0
- *Mates With 1501H series Housing



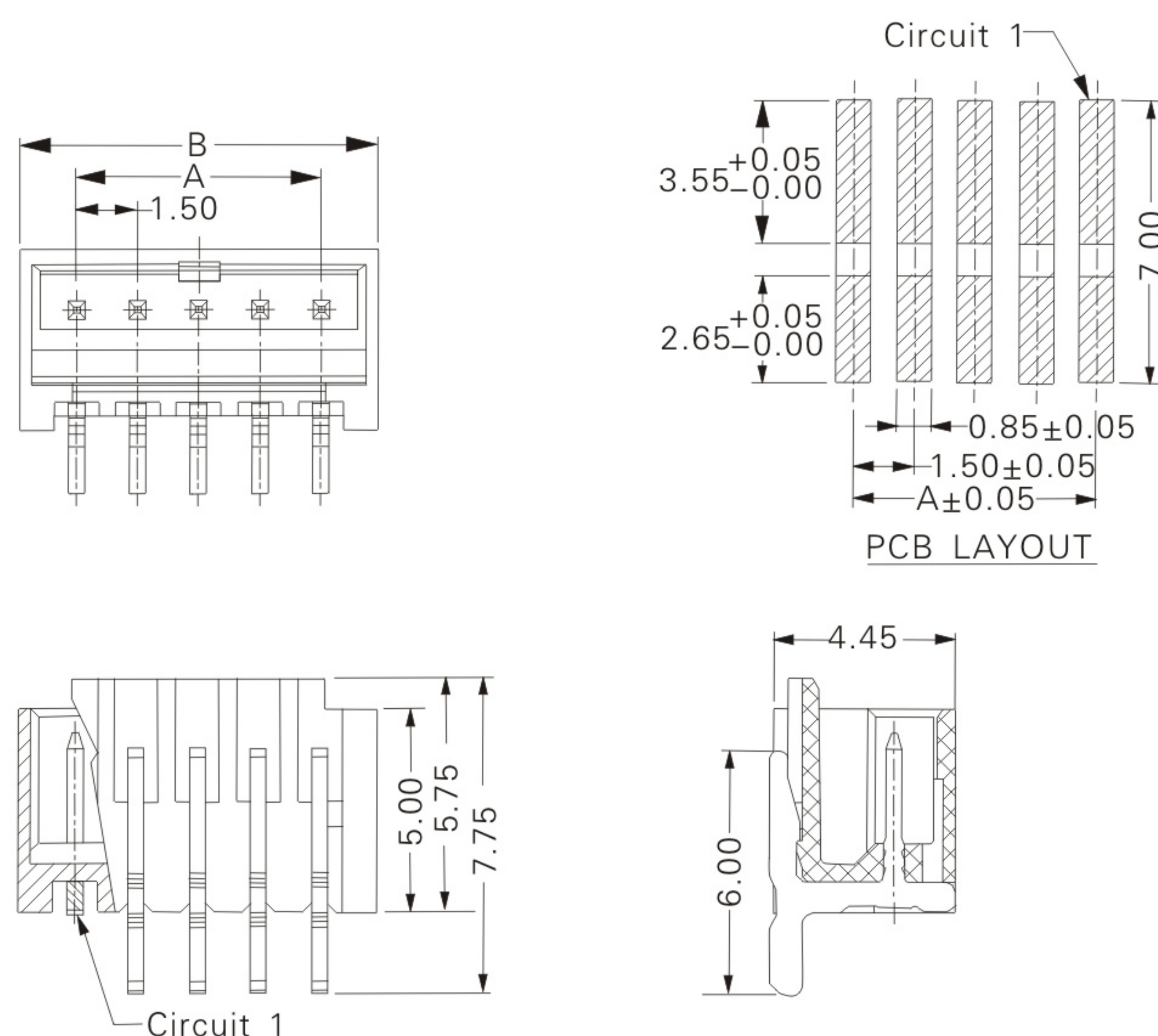
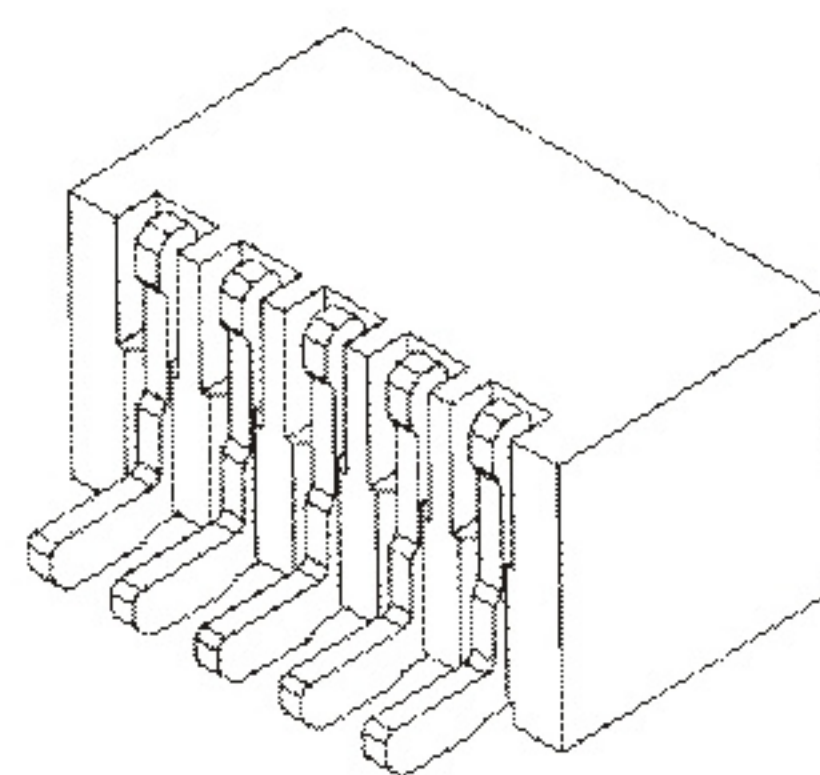
Ordering Information & Dimensions

Circuits	Part No.	DIM.(mm)	
		A	B
02	1501PS-02P-SMT	1.50	4.30
03	1501PS-03P-SMT	3.00	5.80
04	1501PS-04P-SMT	4.50	7.30
05	1501PS-05P-SMT	6.00	8.80
06	1501PS-06P-SMT	7.50	10.30
07	1501PS-07P-SMT	9.00	11.80
08	1501PS-08P-SMT	10.50	13.30
09	1501PS-09P-SMT	12.00	14.80
10	1501PS-10P-SMT	13.50	16.30
11	1501PS-11P-SMT	15.00	17.80
12	1501PS-12P-SMT	16.50	19.30
13	1501PS-13P-SMT	18.00	20.80
14	1501PS-14P-SMT	19.50	22.30
15	1501PS-15P-SMT	21.00	23.80

1501PR-NP-SMT (1.50mm pitch 90° wafer-SMT TYPE)

Reference Informations:

- *Material:Pin:Brass/Tin-plated
Wafer:Nylon 6T UL94V-0
- *Mates With 1501H series Housing



Ordering Information & Dimensions

Circuits	Part No.	DIM.(mm)	
		A	B
02	1501PR-02P-SMT	1.50	4.30
03	1501PR-03P-SMT	3.00	5.80
04	1501PR-04P-SMT	4.50	7.30
05	1501PR-05P-SMT	6.00	8.80
06	1501PR-06P-SMT	7.50	10.30
07	1501PR-07P-SMT	9.00	11.80
08	1501PR-08P-SMT	10.50	13.30
09	1501PR-09P-SMT	12.00	14.80
10	1501PR-10P-SMT	13.50	16.30
11	1501PR-11P-SMT	15.00	17.80
12	1501PR-12P-SMT	16.50	19.30
13	1501PR-13P-SMT	18.00	20.80
14	1501PR-14P-SMT	19.50	22.30
15	1501PR-15P-SMT	21.00	23.80