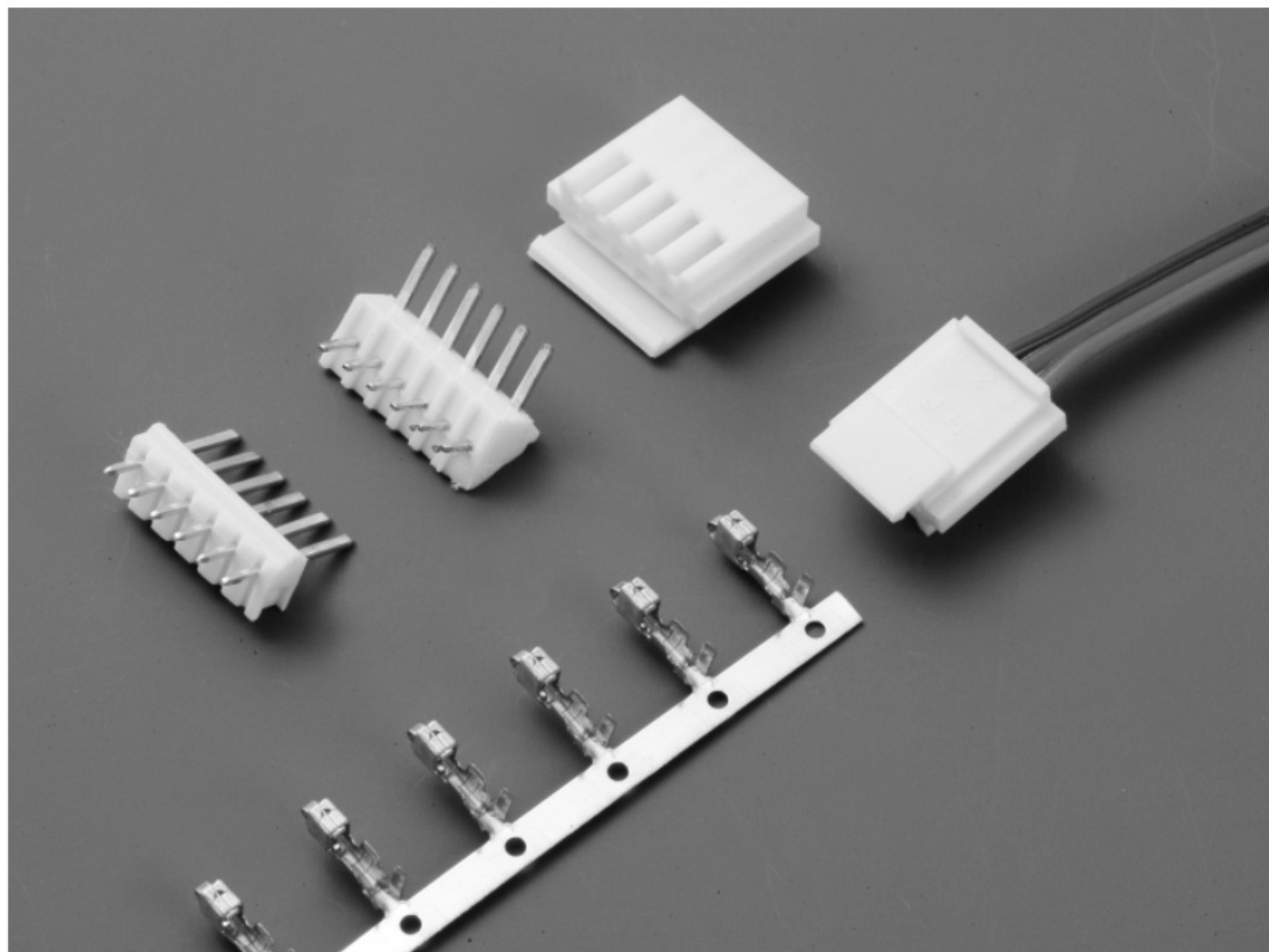


2501H SERIES

2.50mm PITCH WIRE TO BOARD CONNECTOR



Specifications

Current rating: 3A AC,DC

Voltage rating: 250V AC,DC

Temperature range: -25°C to + 85°C
(including temperature rise)

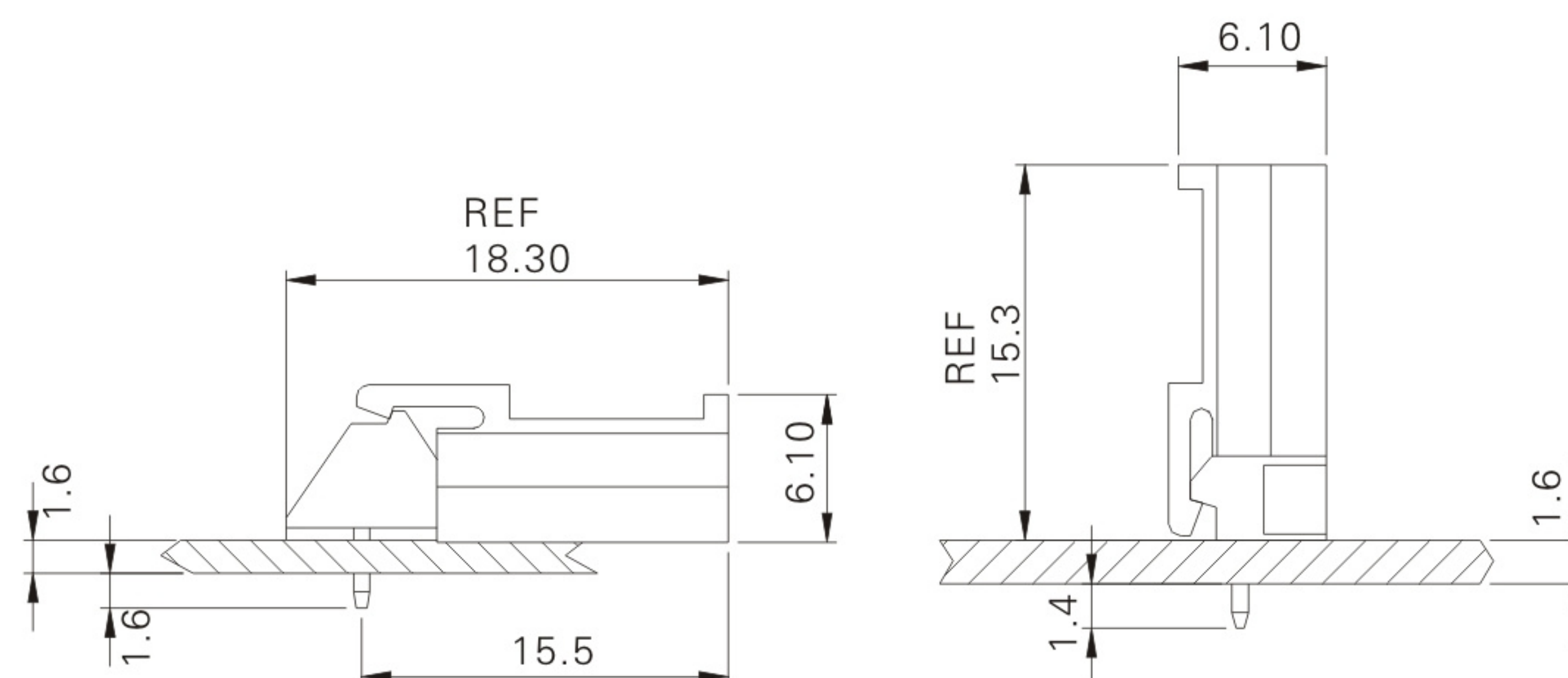
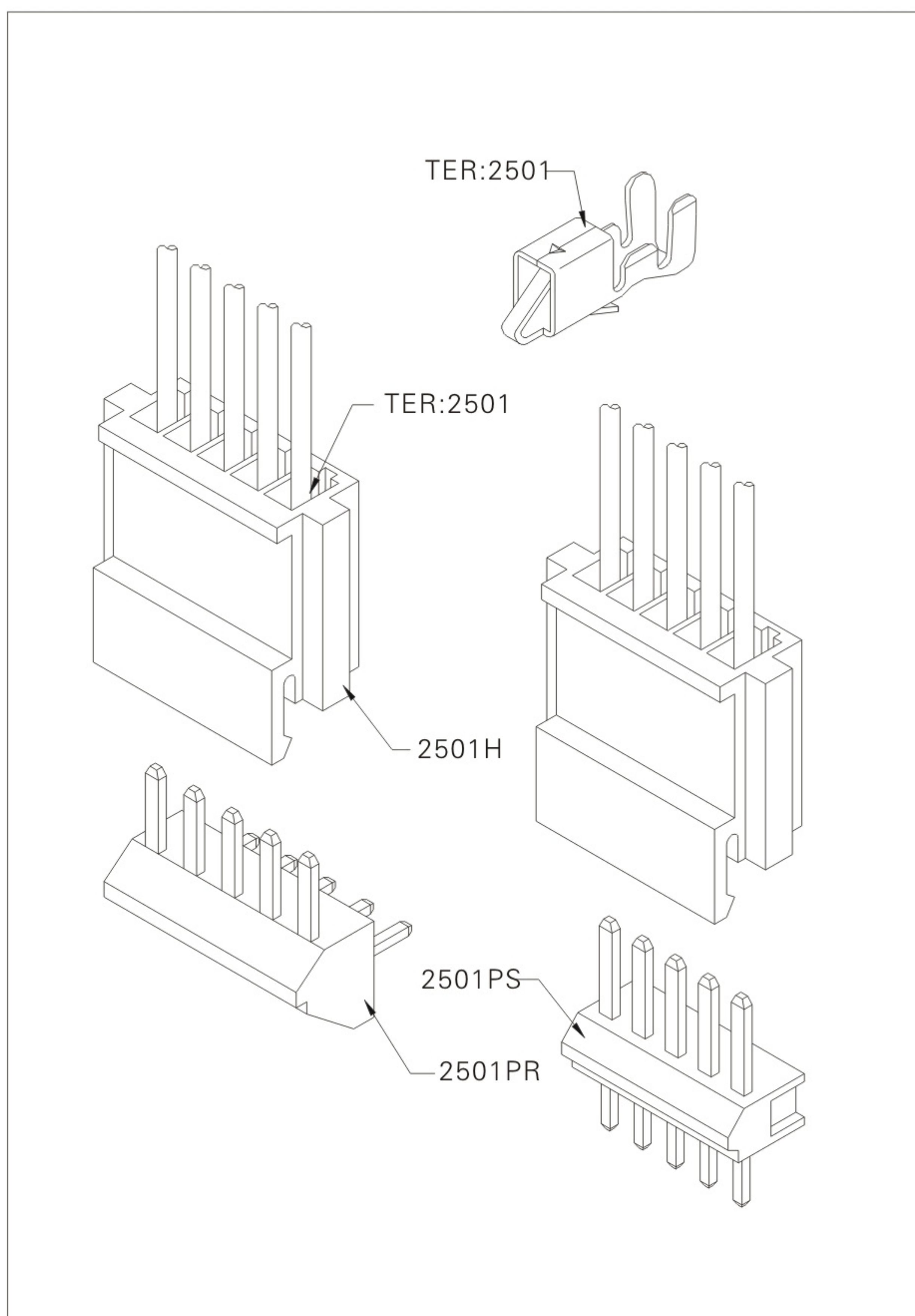
Contact resistance: Initial value/10m Ω Max.
After environmental testing/20m Ω Max.

Insulation resistance: 500M Ω Min.

Withstanding voltage: 1500V AC/minute

Applicable wire: AWG#22-26

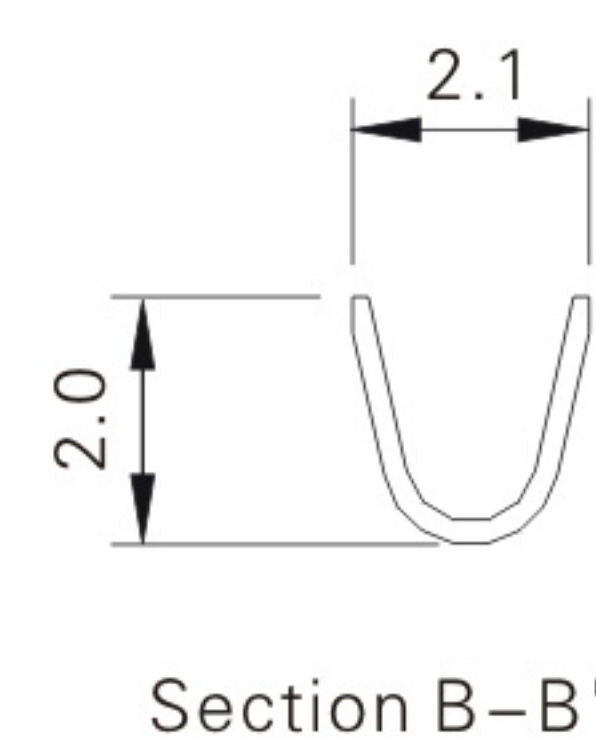
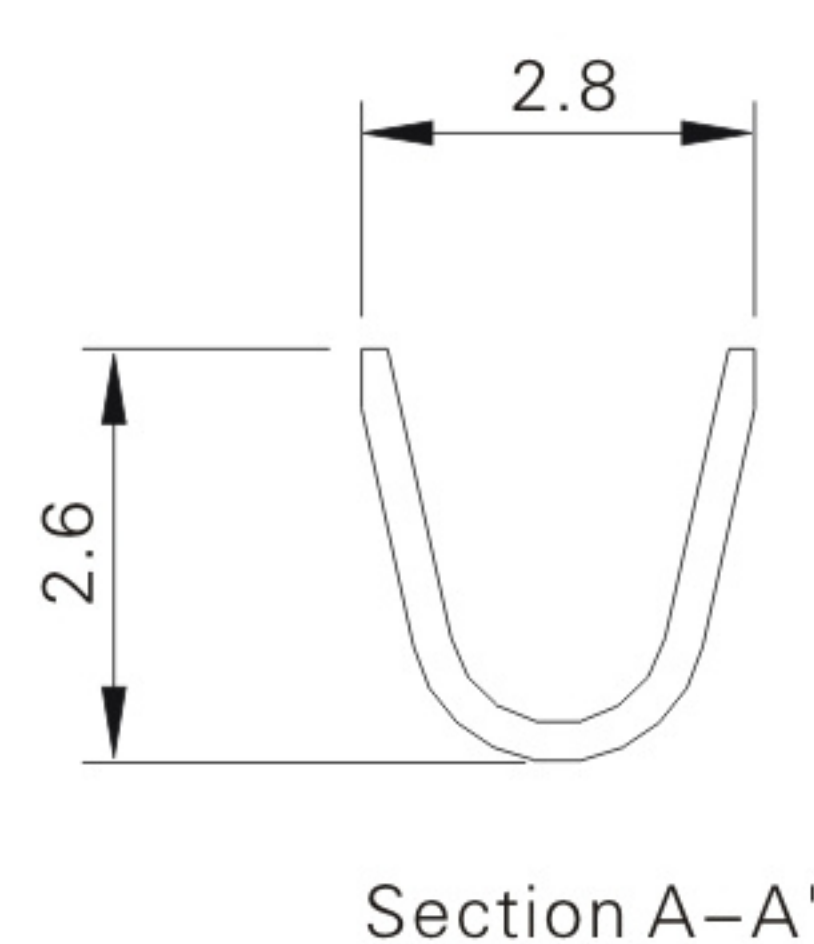
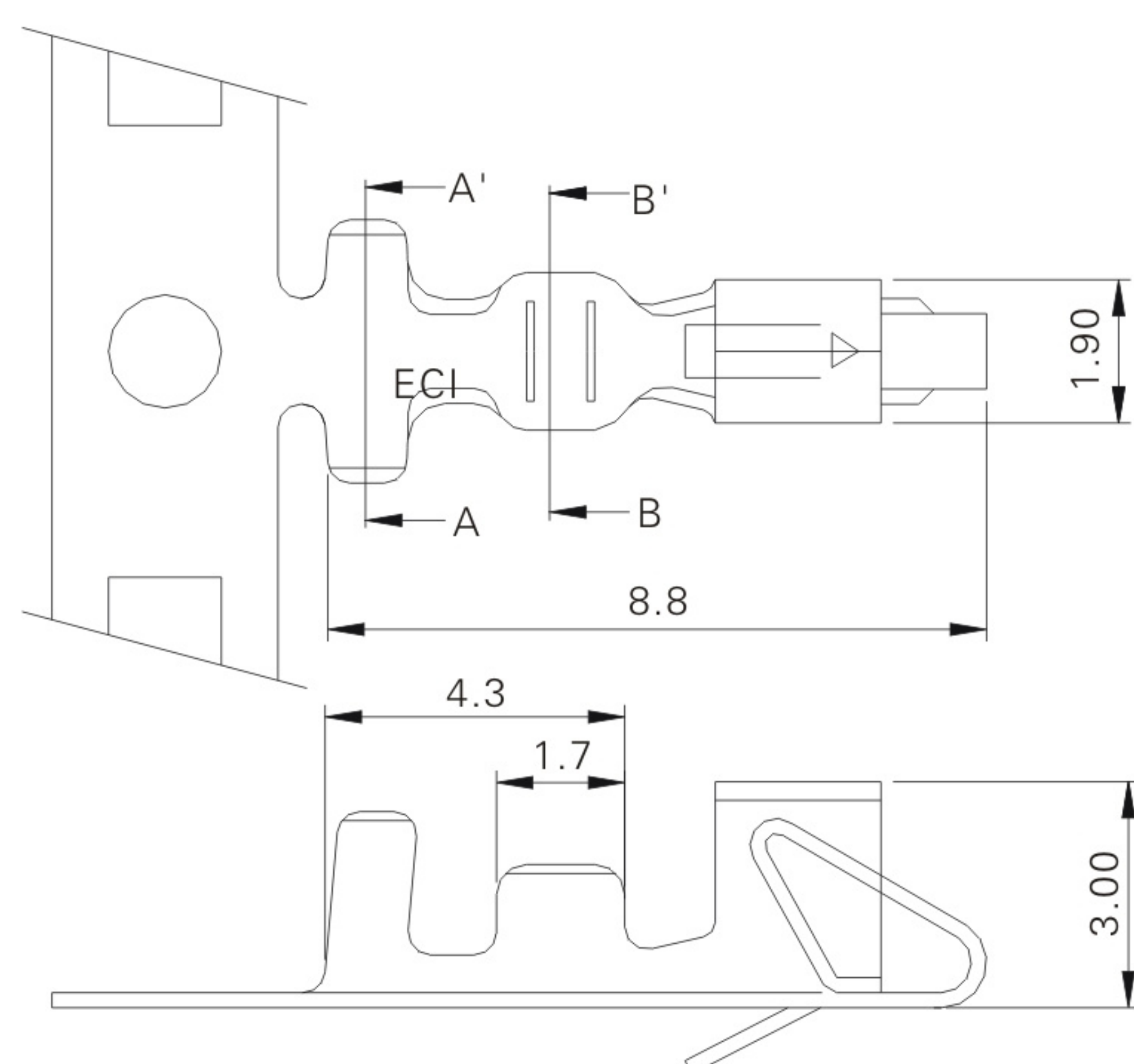
Assembly layout



2501-T (2.50mm pitch crimp terminal)

Reference Informations:

- *Thickness: 0.20mm
- *Mat'l: Brass Tin Plated
- *Mates With: 2501H 2501CH series Housing



Ordering Information & Specifications

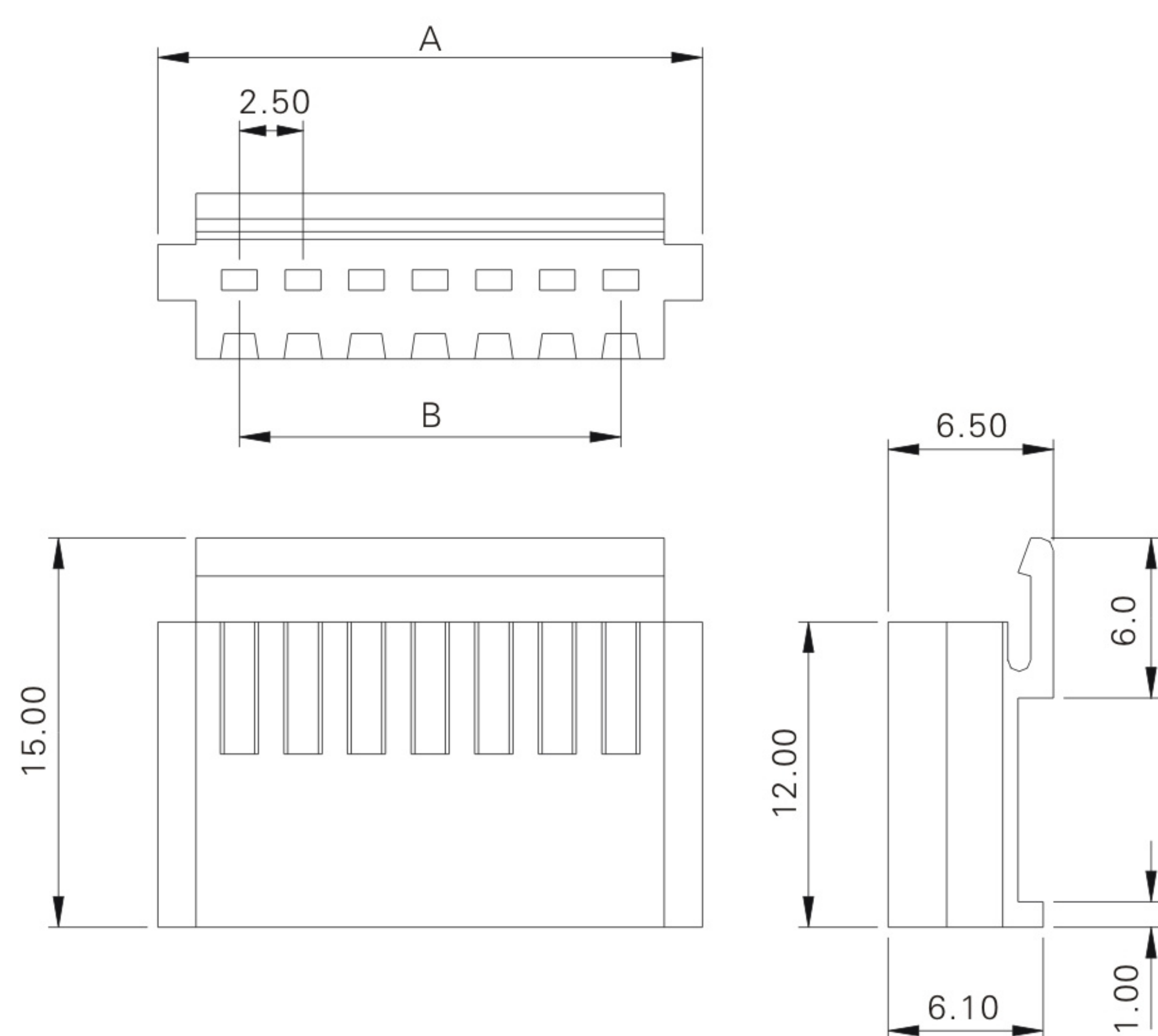
Unit: mm

Part No.	Wire Range	Insulation O.D.	Material	Finish	Qty/reel
2501T	#22-#26	1.7mm max	Brass	Tin-plated	6,000

2501H-NP (2.50mm pitch crimp housing)

Reference Informations:

- *Mat'l: Nylon 66 UL94V-0
- *Mates With: 2501-T series Terminal
- *Accepts With: 2501PS & 2501PR series Wafer



Ordering Information & Dimensions

Circuits	Part No.	DIM.(mm)	
		A	B
02	2501H-02P	2.5	8.9
03	2501H-03P	5.0	11.4
04	2501H-04P	7.5	13.9
05	2501H-05P	10.0	16.4
06	2501H-06P	12.5	18.9
07	2501H-07P	15.0	21.4
08	2501H-08P	17.5	23.9
09	2501H-09P	20.0	26.4
10	2501H-10P	22.5	28.9

2501PS-NP (2.5mm pitch 180° wafer)

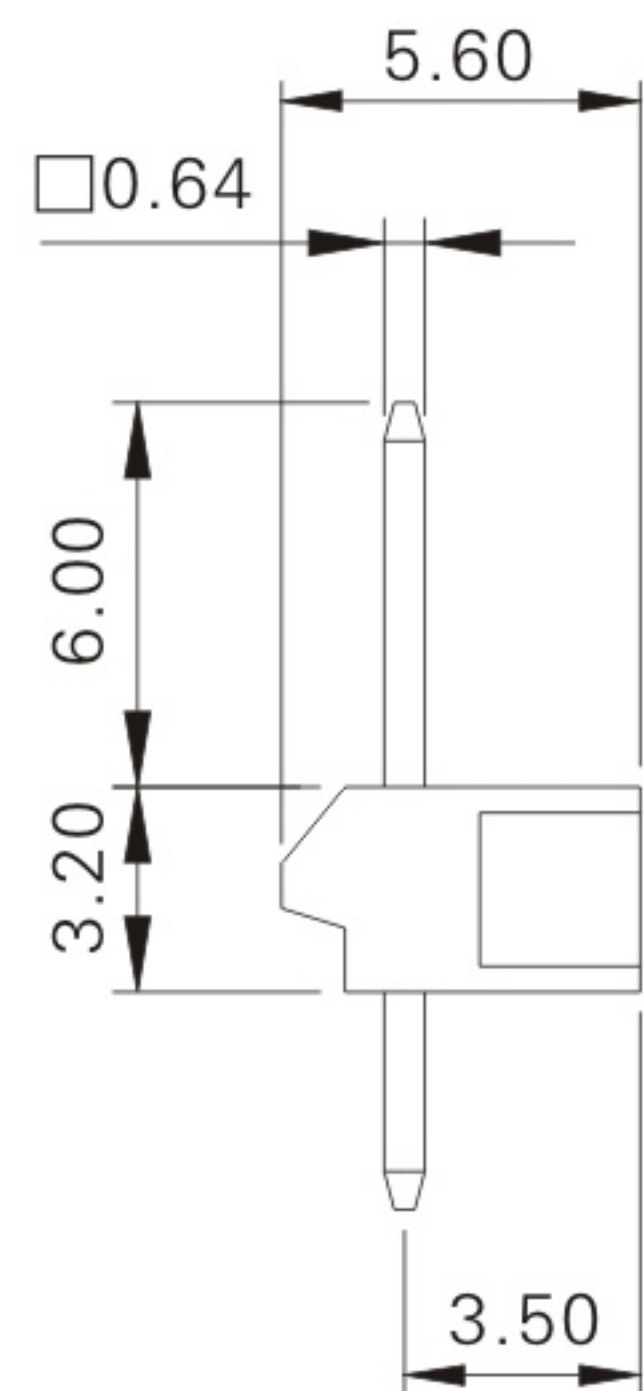
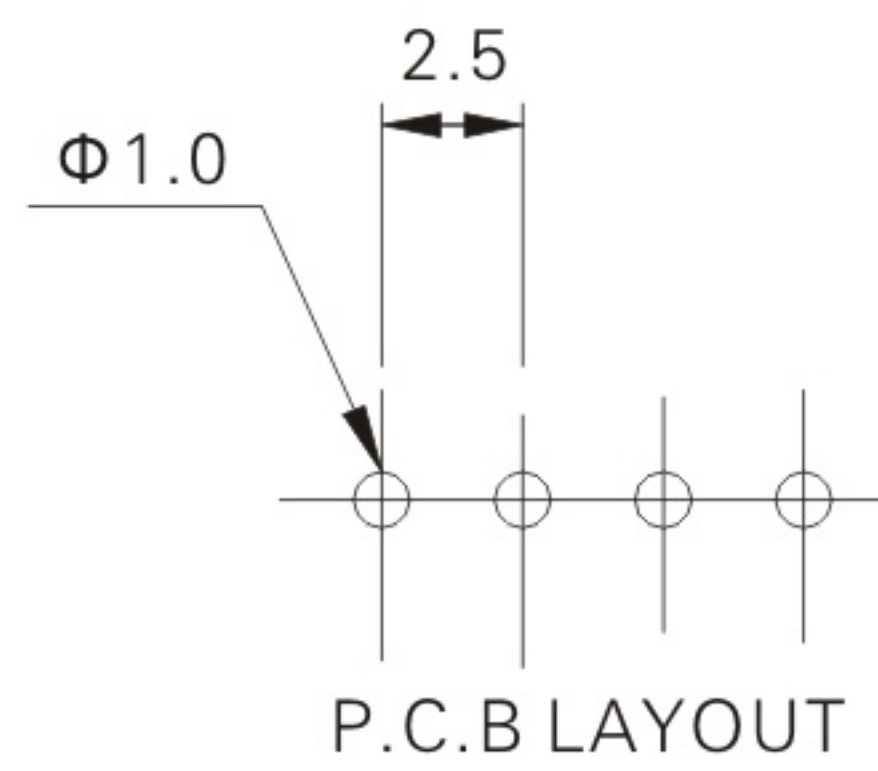
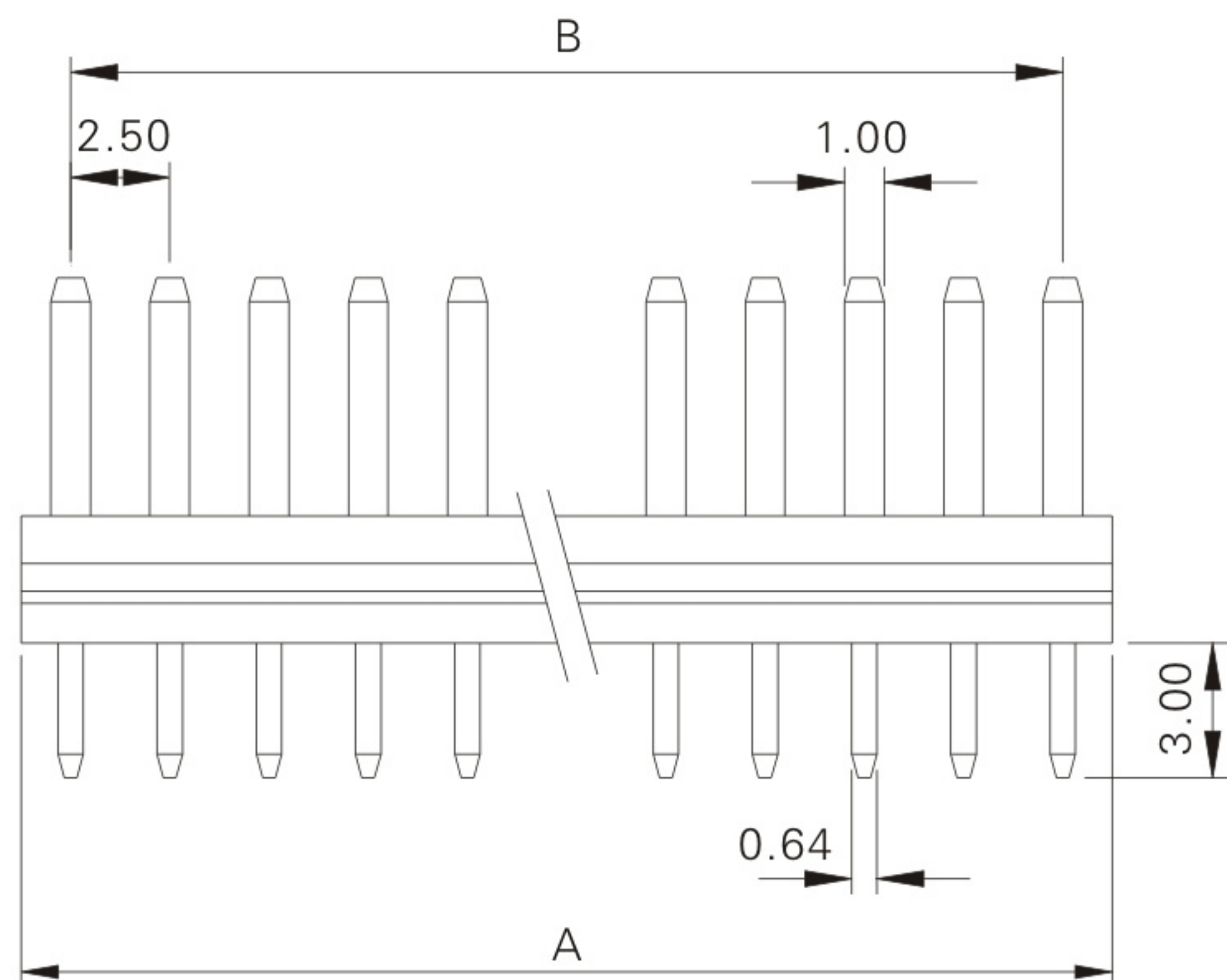
Reference Informations:

*Mat'l: Body: Nylon 66 UL94V-0

Pins: Brass Tin Plated

*Mates With: 2501-T series Terminal

*Accepts With: 2501H series Housing



Ordering Information & Dimensions

Circuits	Part No.	DIM.(mm)	
		A	B
02	2501PS-02P	5.0	2.5
03	2501PS-03P	7.5	5.0
04	2501PS-04P	10.0	7.5
05	2501PS-05P	12.5	10.0
06	2501PS-06P	15.0	12.5
07	2501PS-07P	17.5	15.0
08	2501PS-08P	20.0	17.5
09	2501PS-09P	22.5	20.5
10	2501PS-10P	25.0	22.5
11	2501PS-11P	27.5	25.0
12	2501PS-12P	30.0	27.5
13	2501PS-13P	32.5	30.5
14	2501PS-14P	35.0	32.5
15	2501PS-15P	37.5	35.0
16	2501PS-16P	40.0	37.5
17	2501PS-17P	42.5	40.0
18	2501PS-18P	45.0	42.5
19	2501PS-19P	47.5	45.0
20	2501PS-20P	50.0	47.5

2501PR-NP (2.5mm pitch 90° wafer)

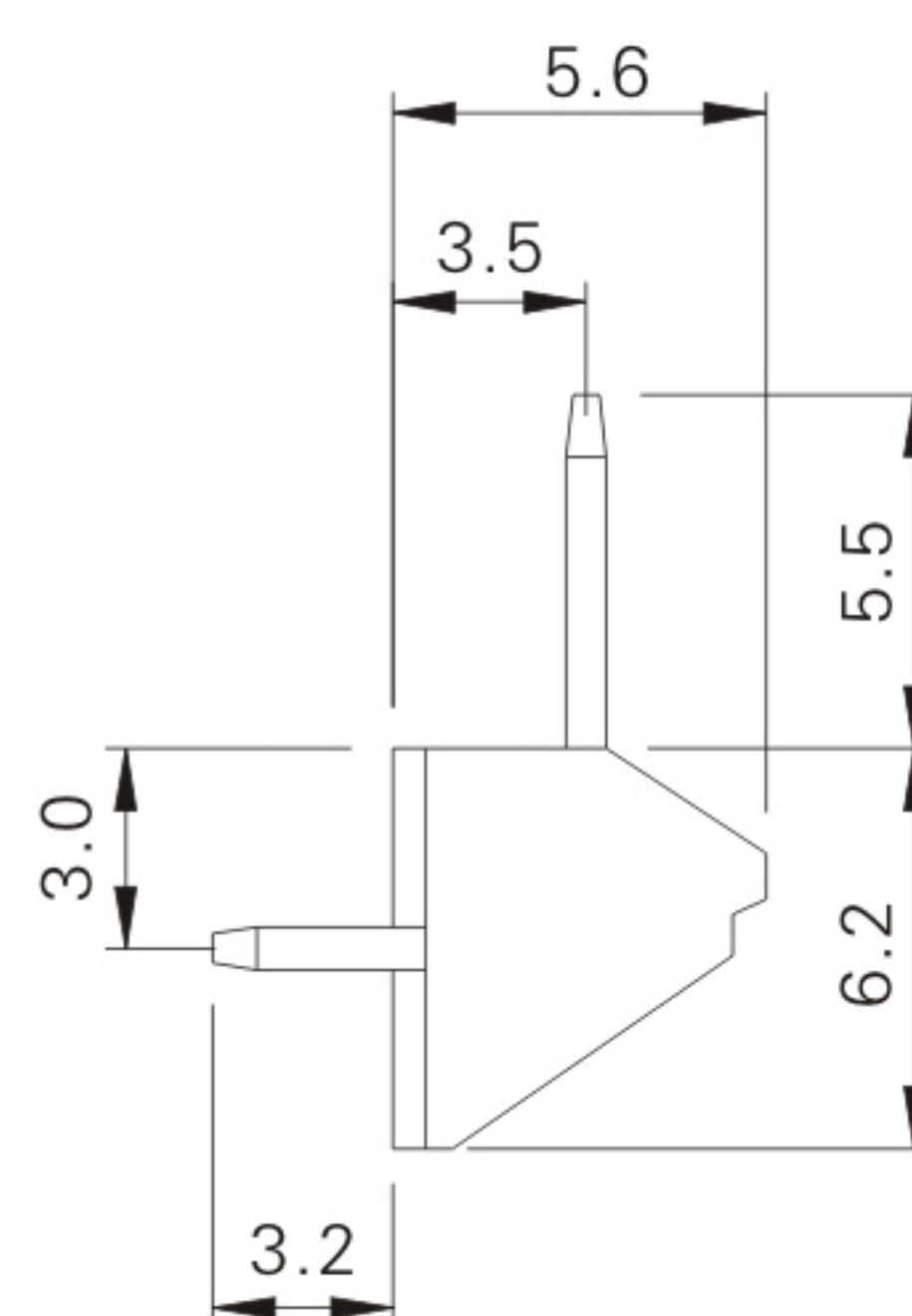
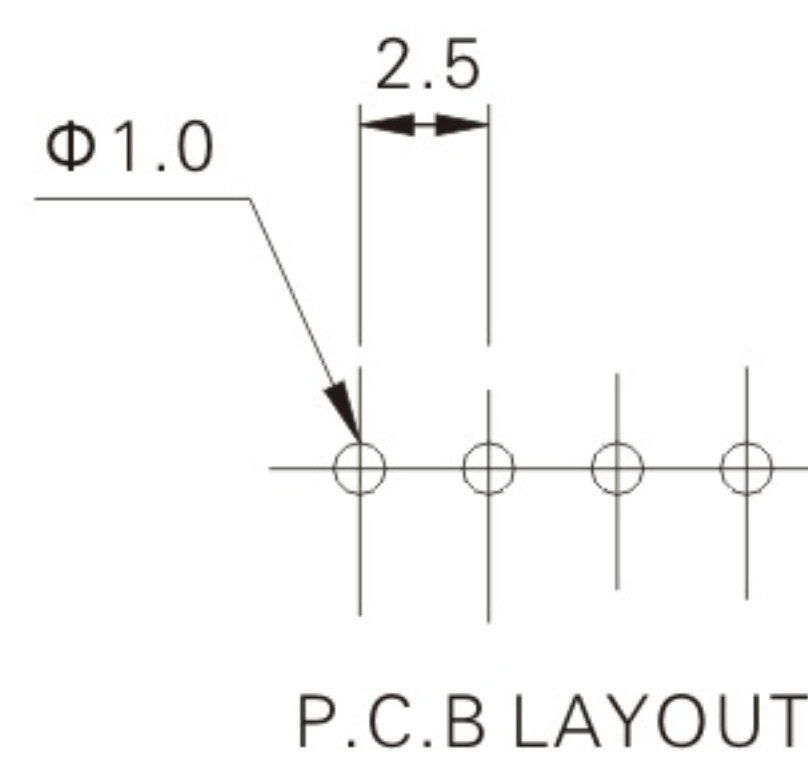
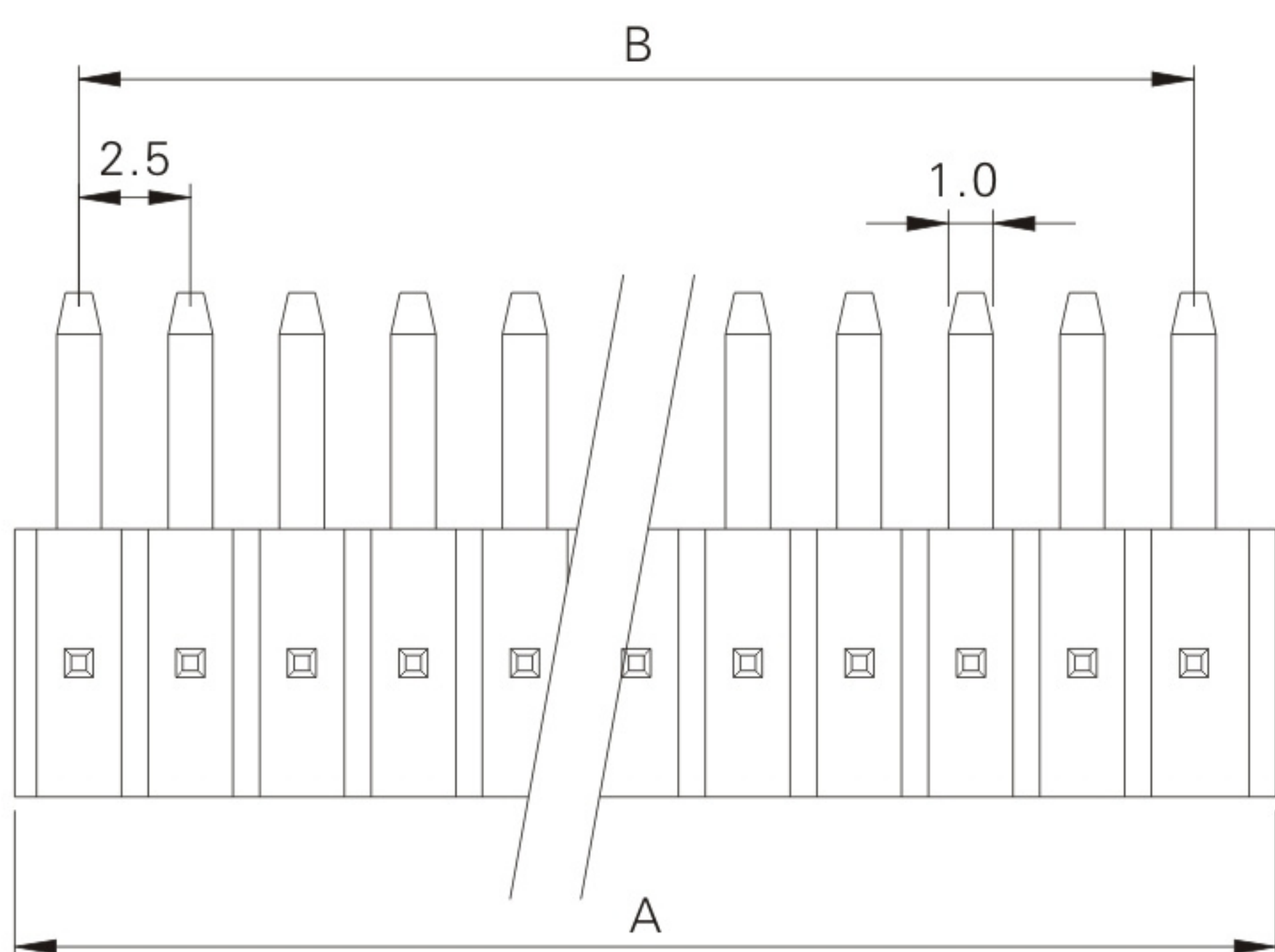
Reference Informations:

*Mat'l: Body: Nylon-66UL 94V-0

Pins: Brass Tin Plated

*Mates With: 2501-T series Terminal

*Accepts With: 2501H series Housing



Ordering Information & Dimensions

Circuits	Part No.	DIM.(mm)	
		A	B
02	2501PR-02P	5.0	2.5
03	2501PR-03P	7.5	5.0
04	2501PR-04P	10.0	7.5
05	2501PR-05P	12.5	10.0
06	2501PR-06P	15.0	12.5
07	2501PR-07P	17.5	15.0
08	2501PR-08P	20.0	17.5
09	2501PR-09P	22.5	20.5
10	2501PR-10P	25.0	22.5
11	2501PR-11P	27.5	25.0
12	2501PR-12P	30.0	27.5
13	2501PR-13P	32.5	30.5
14	2501PR-14P	35.0	32.5
15	2501PR-15P	37.5	35.0
16	2501PR-16P	40.0	37.5
17	2501PR-17P	42.5	40.0
18	2501PR-18P	45.0	42.5
19	2501PR-19P	47.5	45.0
20	2501PR-20P	50.0	47.5