

Specifications

Current rating: 3A AC,DC

Voltage rating: 250V AC,DC

Temperature range: -25°C to +85°C
(including temperature rise)

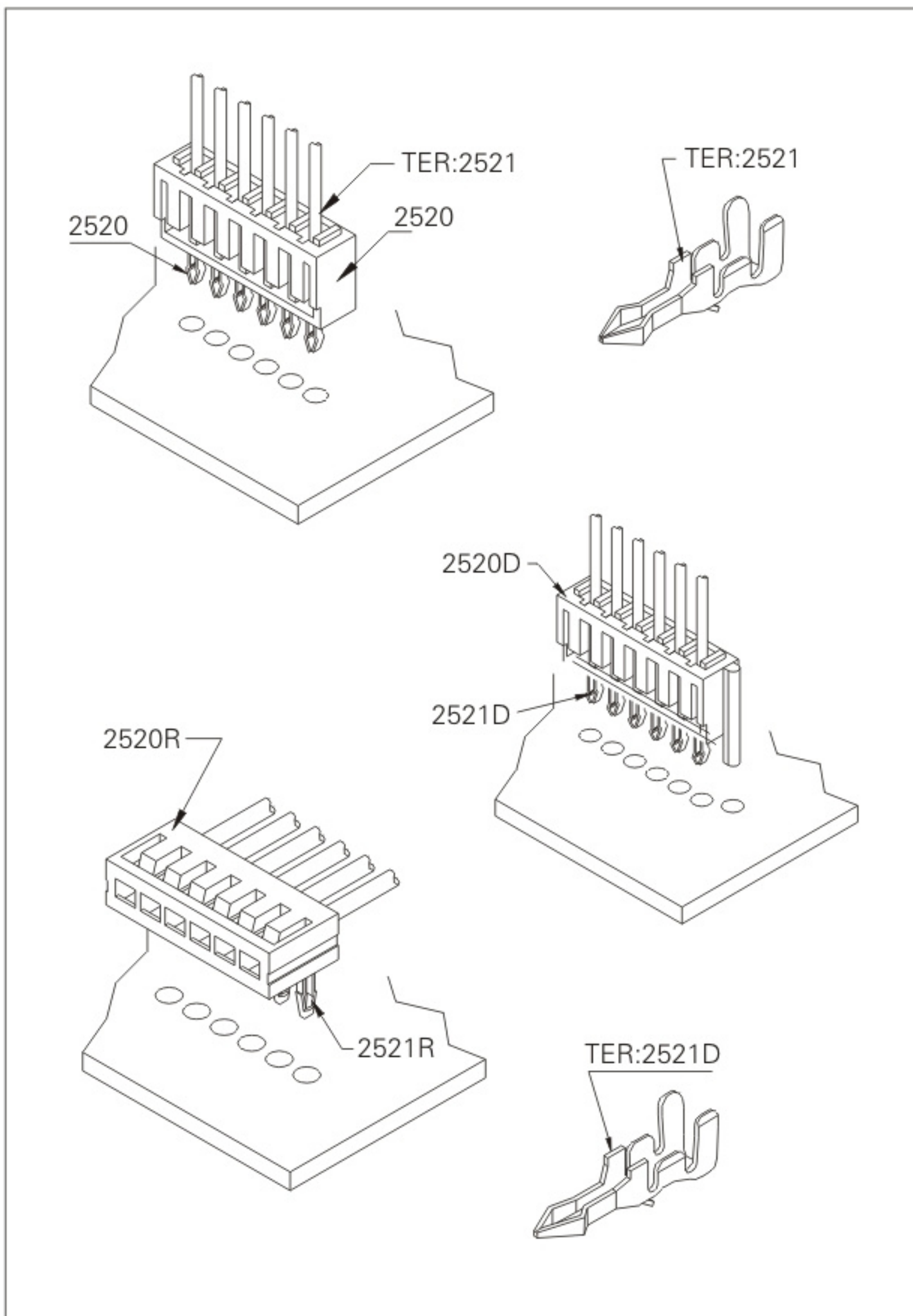
Contact resistance: Initial value/ 10m Ω Max.

After environmental testing/20m Ω Max.

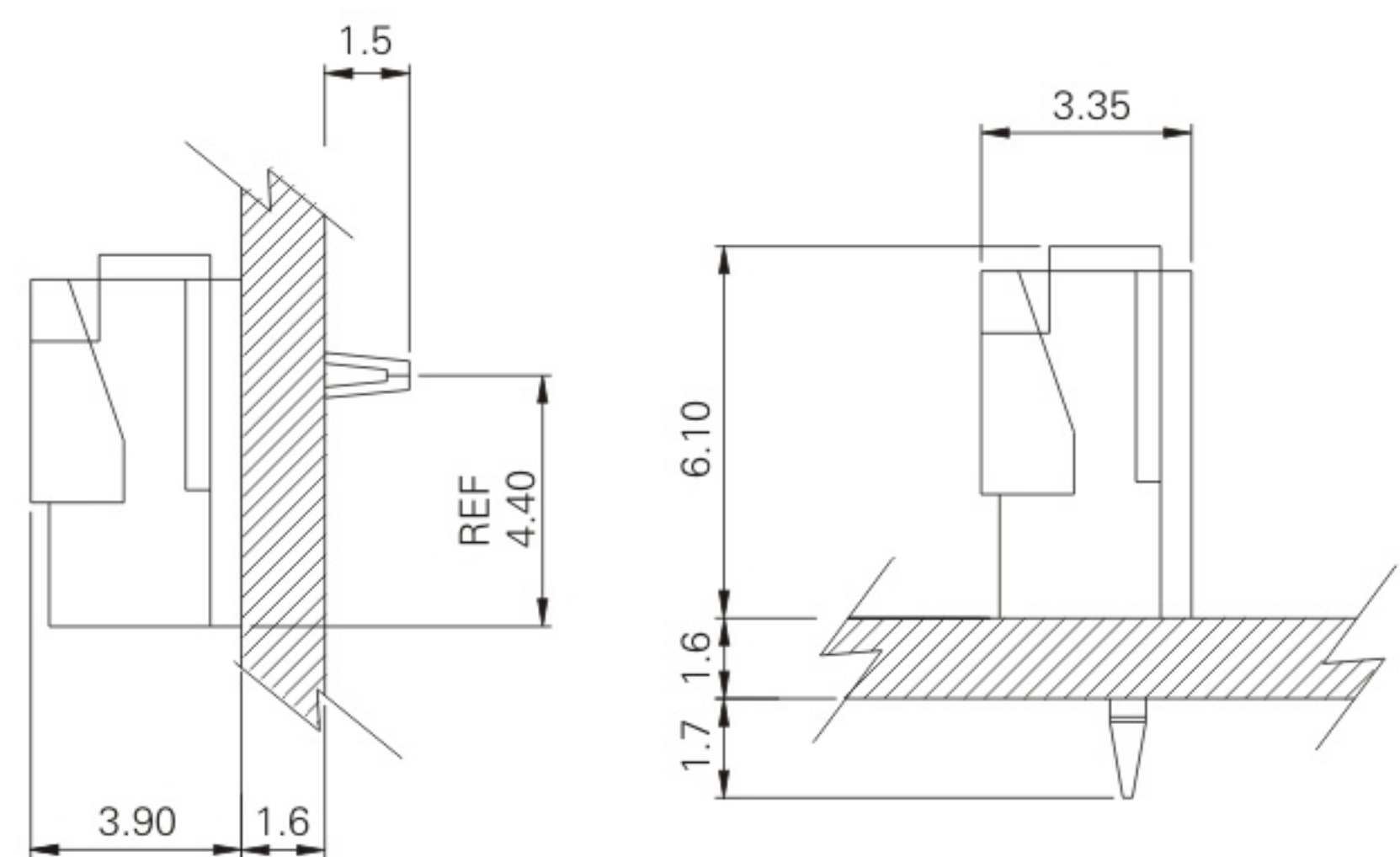
Insulation resistance: 1000M Ω Min.

Withstanding voltage: 1000V AC/minute

Applicable wire: AWG#22-#28



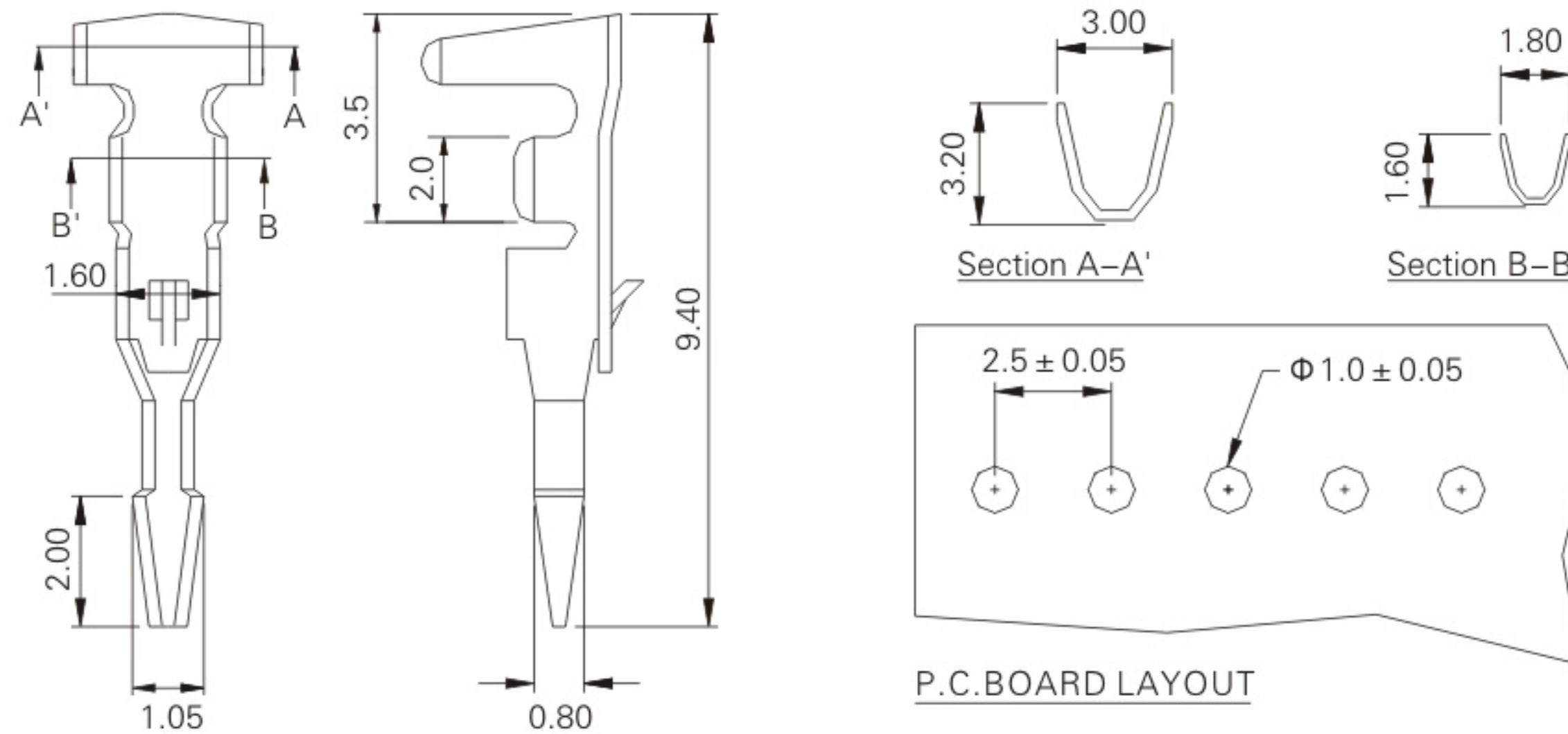
Assembly layout



2521 (2.50mm pitch 180° board in terminal)

Reference Informations:

- *Thickness: 0.2mm
- *Mat'l: Brass Tin Plated
- *Use With 1.6mm or 1.2mm Thickness P.C.B
- *Mates With: 2520 series Housing
- *Terminal Solder Directly to P.C Board



Ordering Information & Specifications

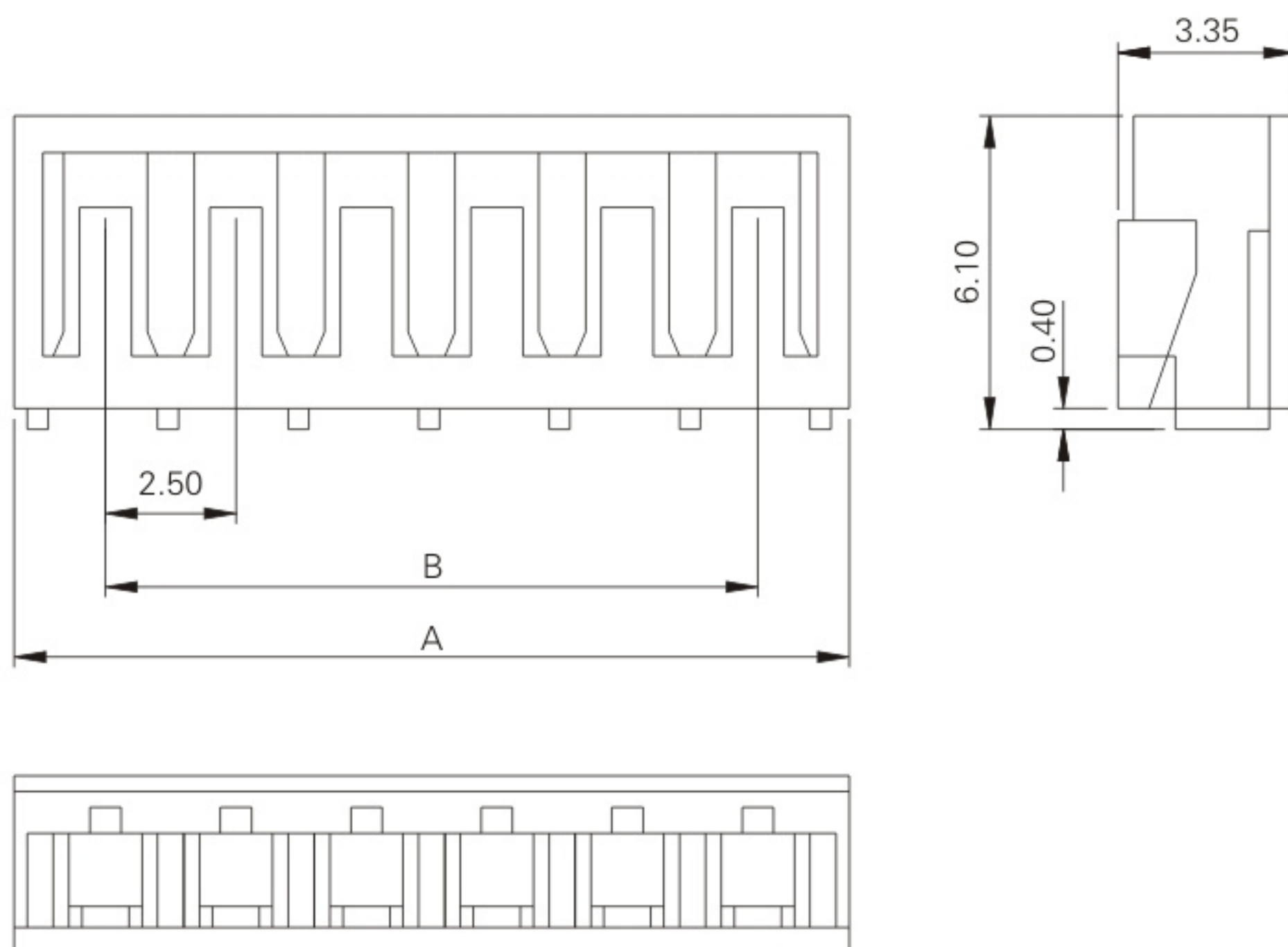
Unit: mm

Part No.	Wire Range	Insulation O.D.	Material	Finish	Qty/reel
2521	AWG#22-#28	Φ1.9mm max	Brass	Tin-plated	8,000

2520 (2.50mm pitch 180° board in housing)

Reference Informations:

- *Mat'l: Nylon 66 UL94V-0
- *Mates With: 2521 2521D series Terminal



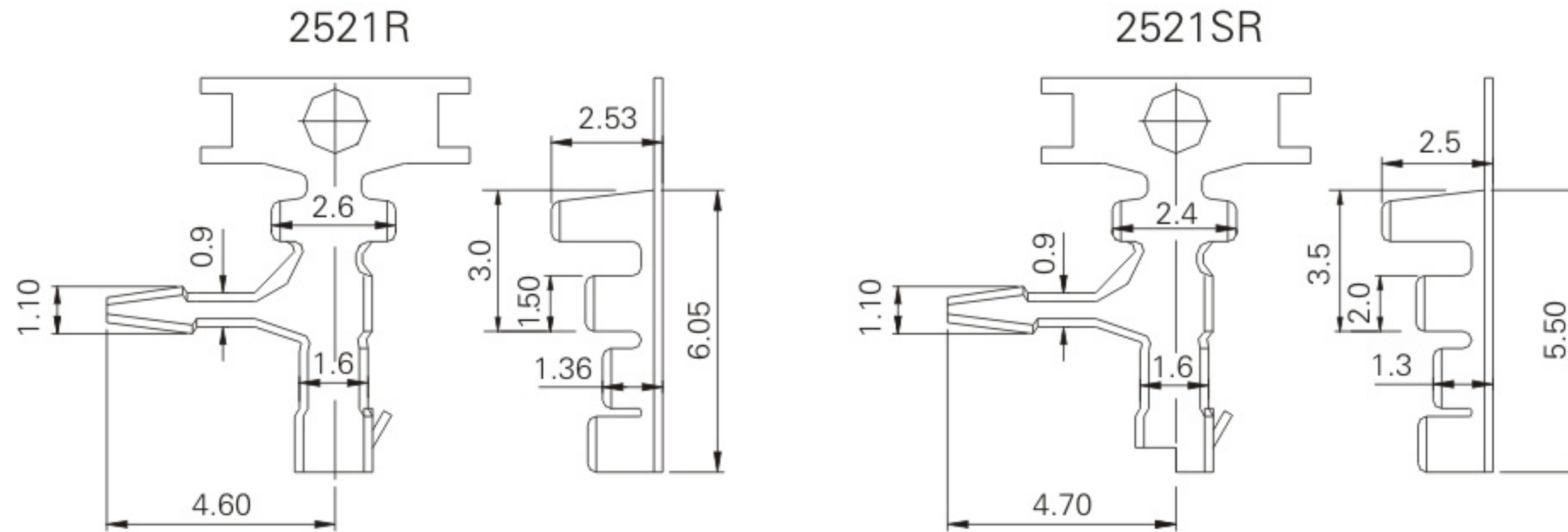
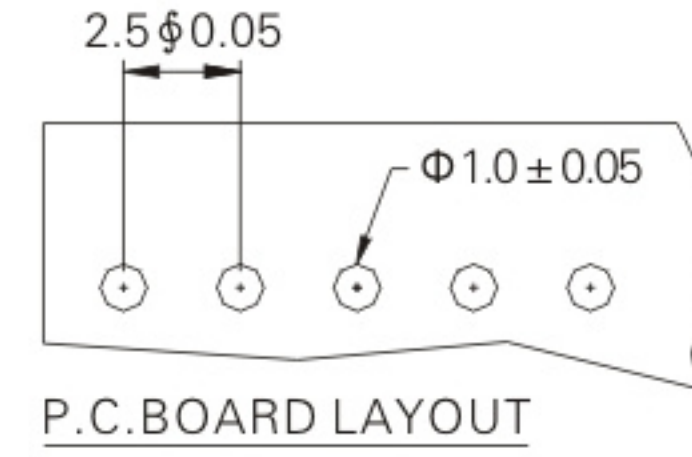
Ordering Information & Dimensions

Circuits	Part No.	DIM.(mm)	
		A	B
02	2520-02	6.5	2.5
03	2520-03	9.0	5.0
04	2520-04	11.5	7.5
05	2520-05	14.0	10.0
06	2520-06	16.5	12.5
07	2520-07	19.0	15.0
08	2520-08	21.5	17.5
09	2520-09	24.0	20.0
10	2520-10	26.5	22.5
11	2520-11	29.0	25.0
12	2520-12	31.5	27.5
13	2520-13	34.0	30.0
14	2520-14	36.5	32.5
15	2520-15	39.0	35.0
16	2520-16	41.5	37.5
17	2520-17	44.0	40.0
18	2520-18	46.5	42.5
19	2520-19	49.0	45.0
20	2520-20	51.5	47.5

2521R 2521SR (2.50mm pitch 90° board in terminal)

Reference Informations:

- *Thickness: 0.2mm
- *Mat'l: Brass Tin Plated
- *Use With 1.6mm or 1.2mm Thick P.C Board
- *Mates With: 2520R series Housing
- *Terminal Solder Directly to P.C Board



Ordering Information & Specifications

Unit: mm

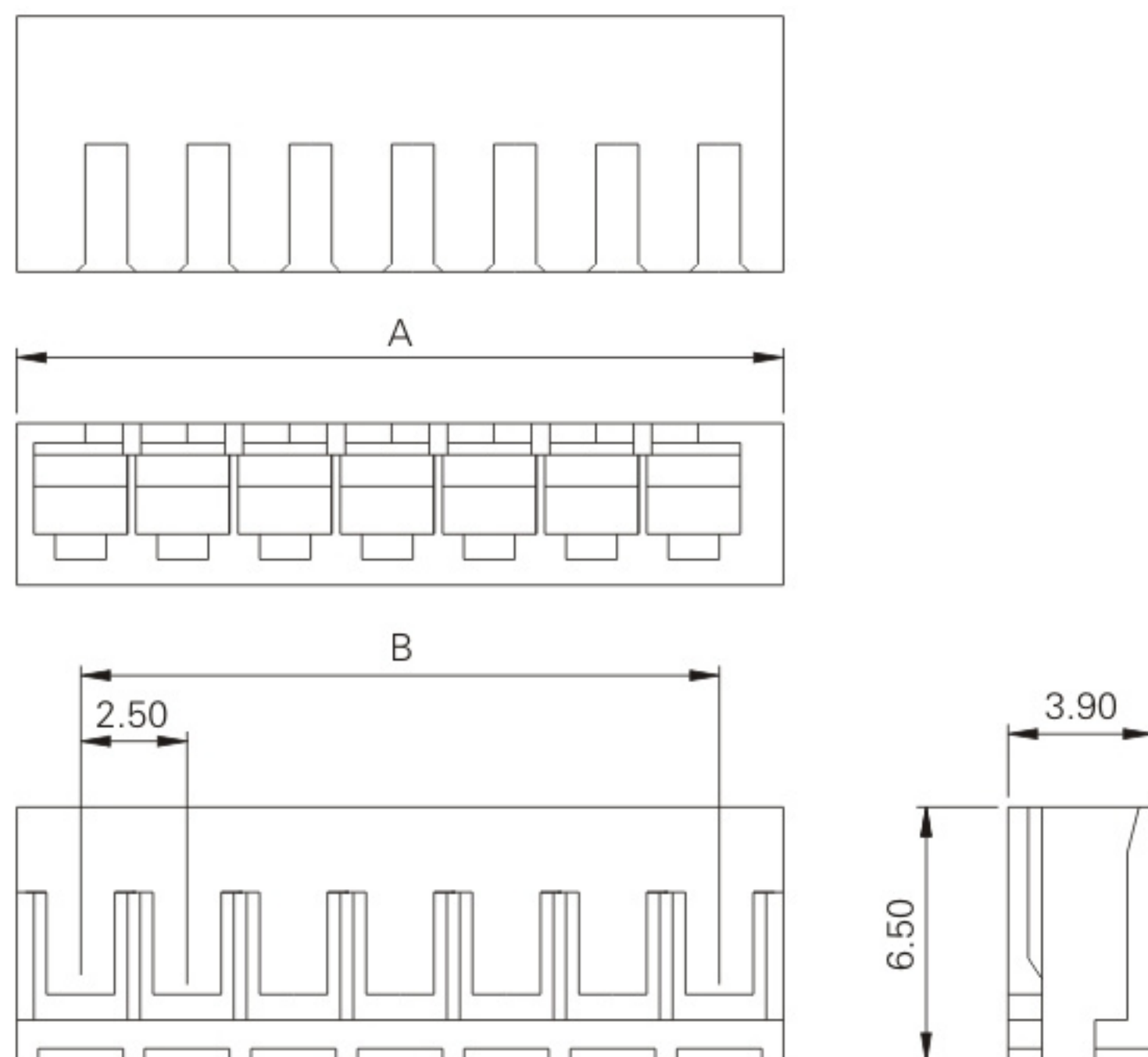
Part No.	Wire Range	Insulation O.D.	Material	Finish	Qty/reel
2521R	AWG#22-#28	Φ 1.9mm max	Brass	Tin-plated	10,000
2521SR	AWG#22-#28	Φ 1.9mm max	Brass	Tin-plated	10,000

2520R (2.50mm pitch 90° board in housing)

Reference Informations:

- *Mat'l: Nylon 66 UL94V-2
- *Mates With: 2521R series Terminal

Ordering Information & Dimensions



Circuits	Part No.	DIM.(mm)	
		A	B
02	2520R-02	6.5	2.5
03	2520R-03	9.0	5.0
04	2520R-04	11.5	7.5
05	2520R-05	14.0	10.0
06	2520R-06	16.5	12.5
07	2520R-07	19.0	15.0
08	2520R-08	21.5	17.5
09	2520R-09	24.0	20.0
10	2520R-10	26.5	22.5
11	2520R-11	29.0	25.0
12	2520R-12	31.5	27.5
13	2520R-13	34.0	30.0
14	2520R-14	36.5	32.5
15	2520R-15	39.0	35.0
16	2520R-16	41.5	37.5
17	2520R-17	44.0	40.0
18	2520R-18	46.5	42.5
19	2520R-19	49.0	45.0
20	2520R-20	51.5	47.5