

Specifications

Current rating: 5A AC,DC

Voltage rating: 250V AC,DC

Temperature range: -25°C to +85°C
(including temperature rise)

Contact resistance: Initial value/ 10m Ω Max.

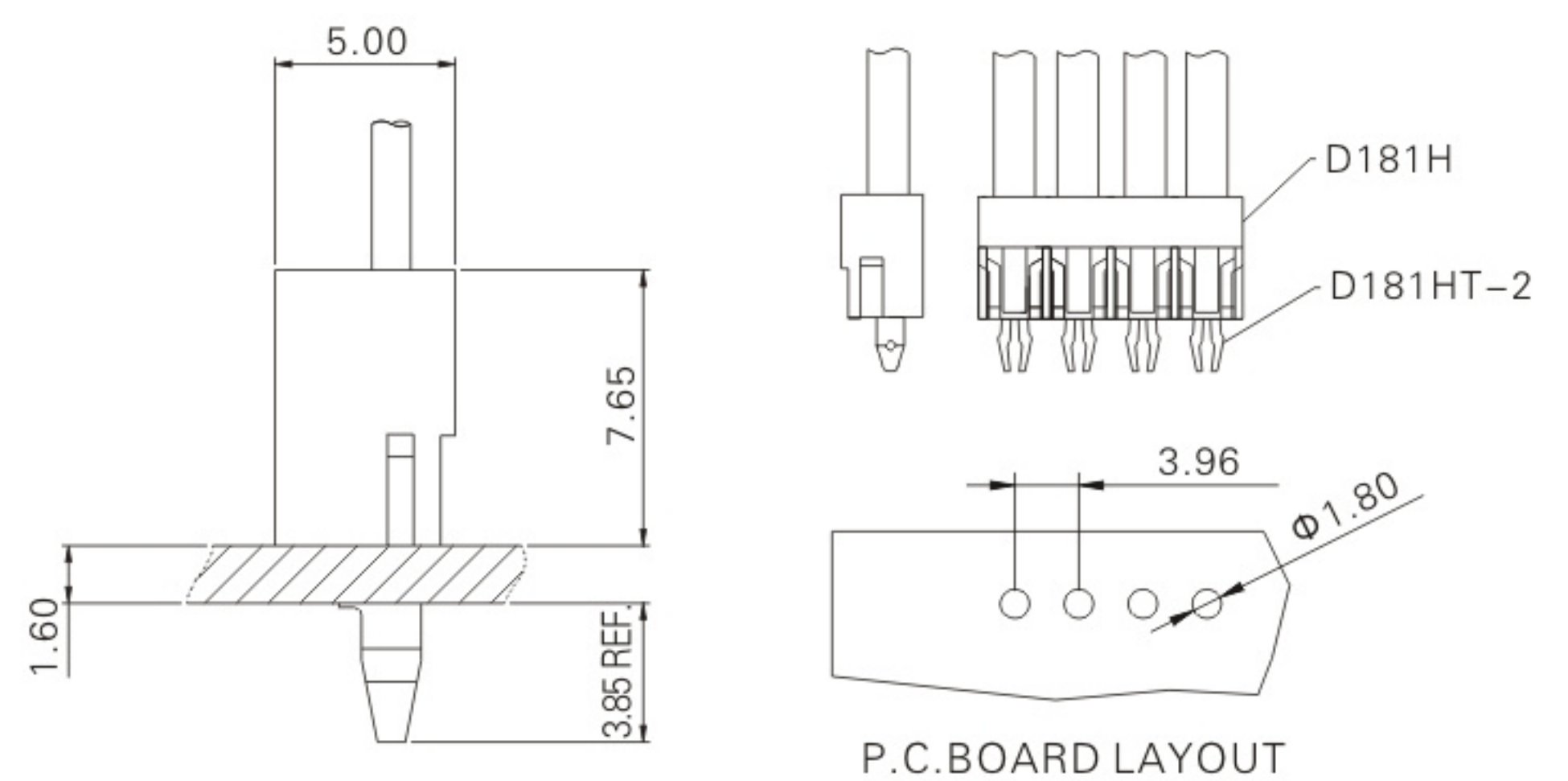
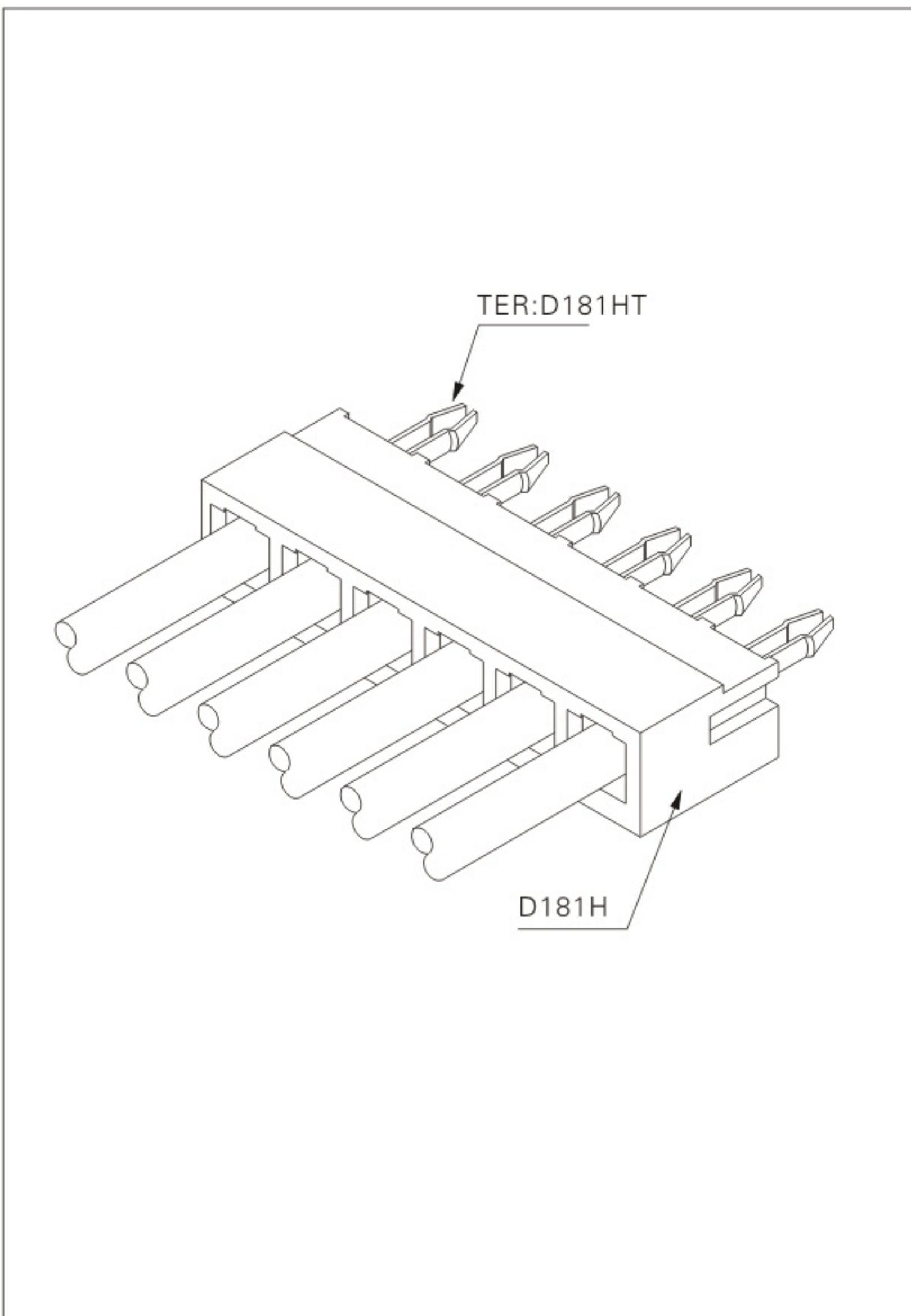
After environmental testing/20m Ω Max.

Insulation resistance: 1000M Ω Min.

Withstanding voltage: 1000V AC/minute

Applicable wire: AWG#18-#22

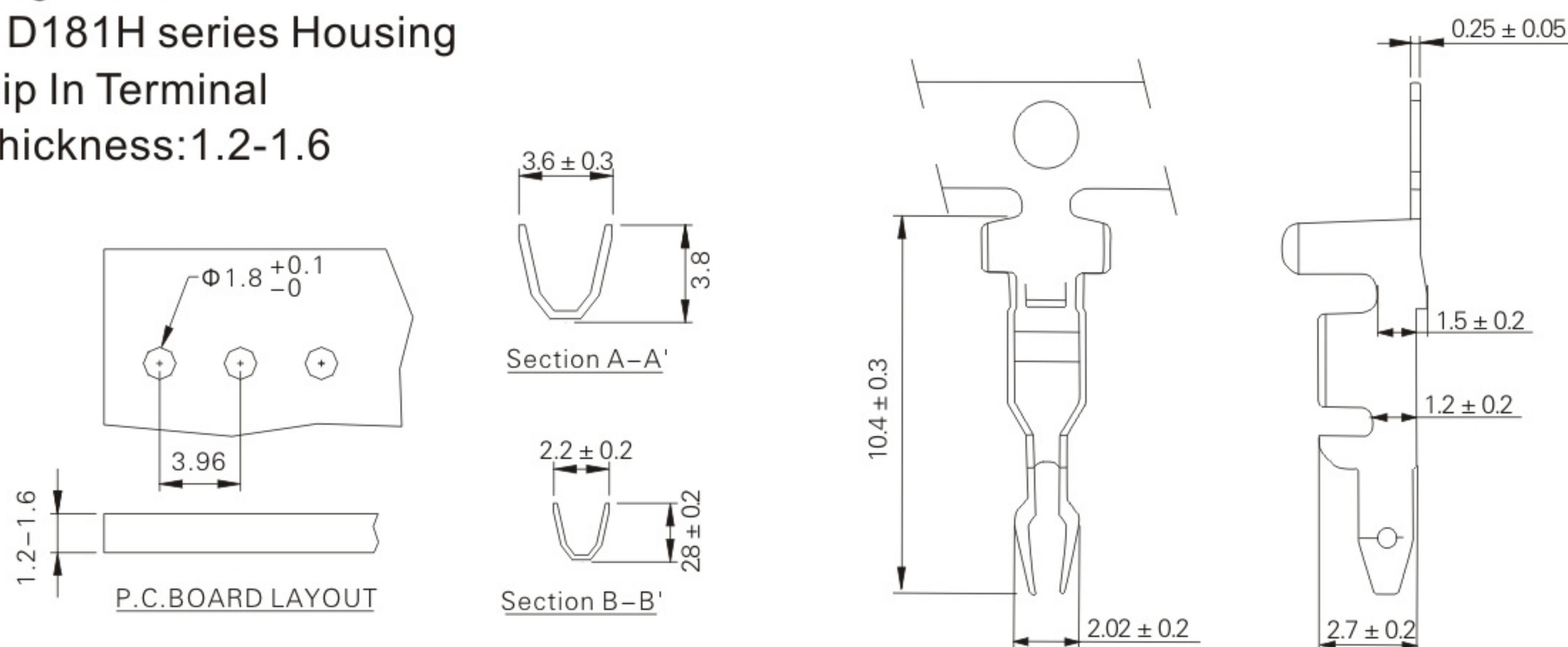
Assembly layout



D181HT (3.96mm pitch board-in terminal)

Reference Informations:

- *Thickness: 0.25mm
- *Mat'l: Brass Tin Plated
- *Current Rating: 5AAC DC
- *Voltage Rating: 250V AC.DC
- *Mates With: D181H series Housing
- *P.C Board Dip In Terminal
- *P.C Board Thickness: 1.2-1.6



Ordering Information & Specifications

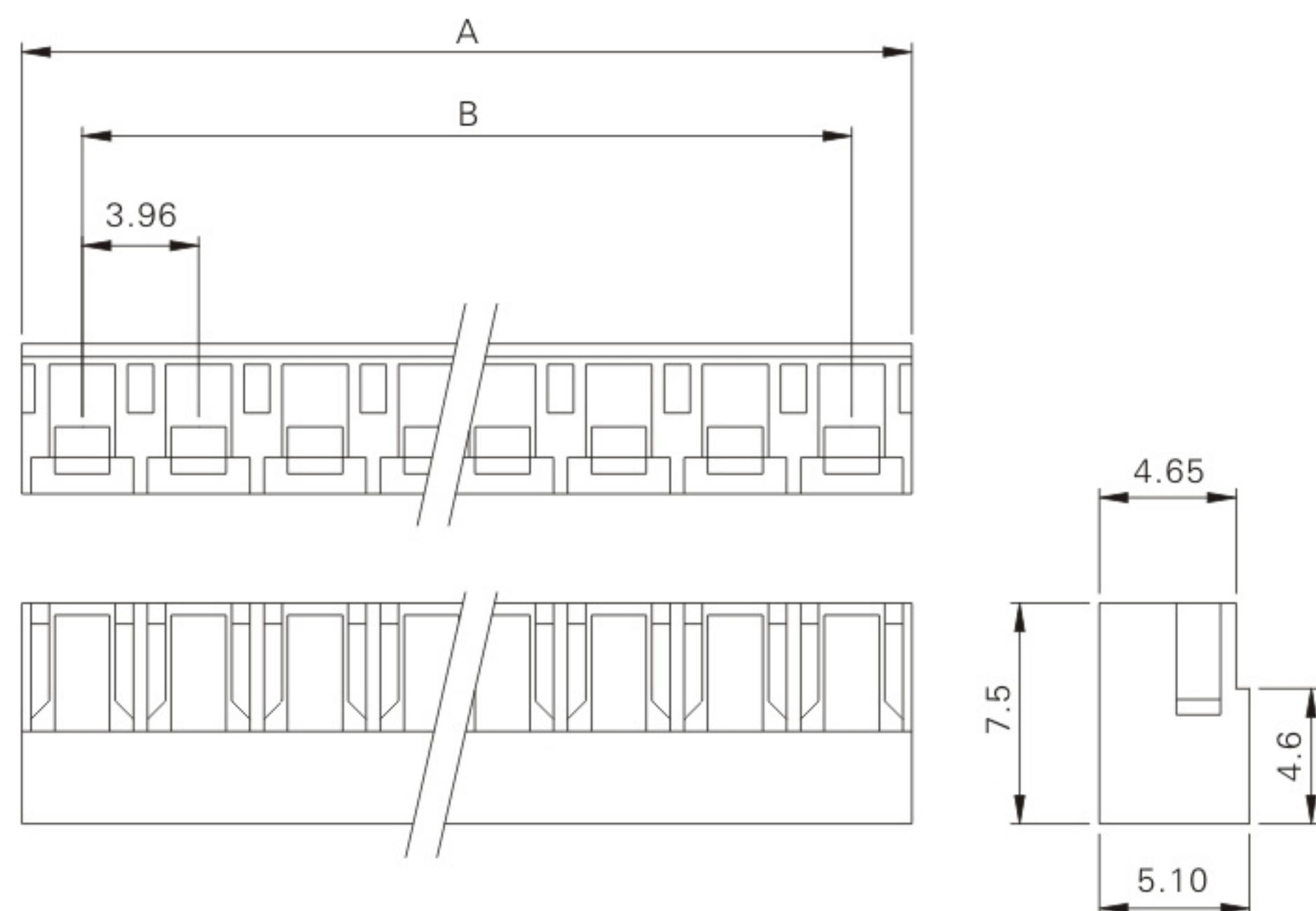
Unit: mm

Part No.	Wire Range	Insulation O.D.	Material	Finish	Qty/reel
D181HT	AWG#18-22	2.50mm max	Brass	Tin-plated	6,000

D181H (3.96mm pitch board in housing)

Reference Informations:

- *Mat'l: Nylon 66 UL94V-0
- *Current Rating: 7AAC DC
- *Voltage Rating: 250V AC DC
- *Mates With: D181HT series Terminal
- *UI File No: E115256



Ordering Information & Dimensions

Circuits	Part No.	DIM.(mm)	
		A	B
02	D181H-02	8.42	3.96
03	D181H-03	12.38	7.92
04	D181H-04	16.34	11.88
05	D181H-05	20.3	15.84
06	D181H-06	24.26	19.8
07	D181H-07	28.22	23.76
08	D181H-08	32.18	27.72
09	D181H-09	36.14	31.68
10	D181H-10	40.1	35.64
11	D181H-11	44.06	39.6
12	D181H-12	48.02	43.56
13	D181H-13	51.98	47.52
14	D181H-14	55.94	51.48
15	D181H-15	59.9	55.44