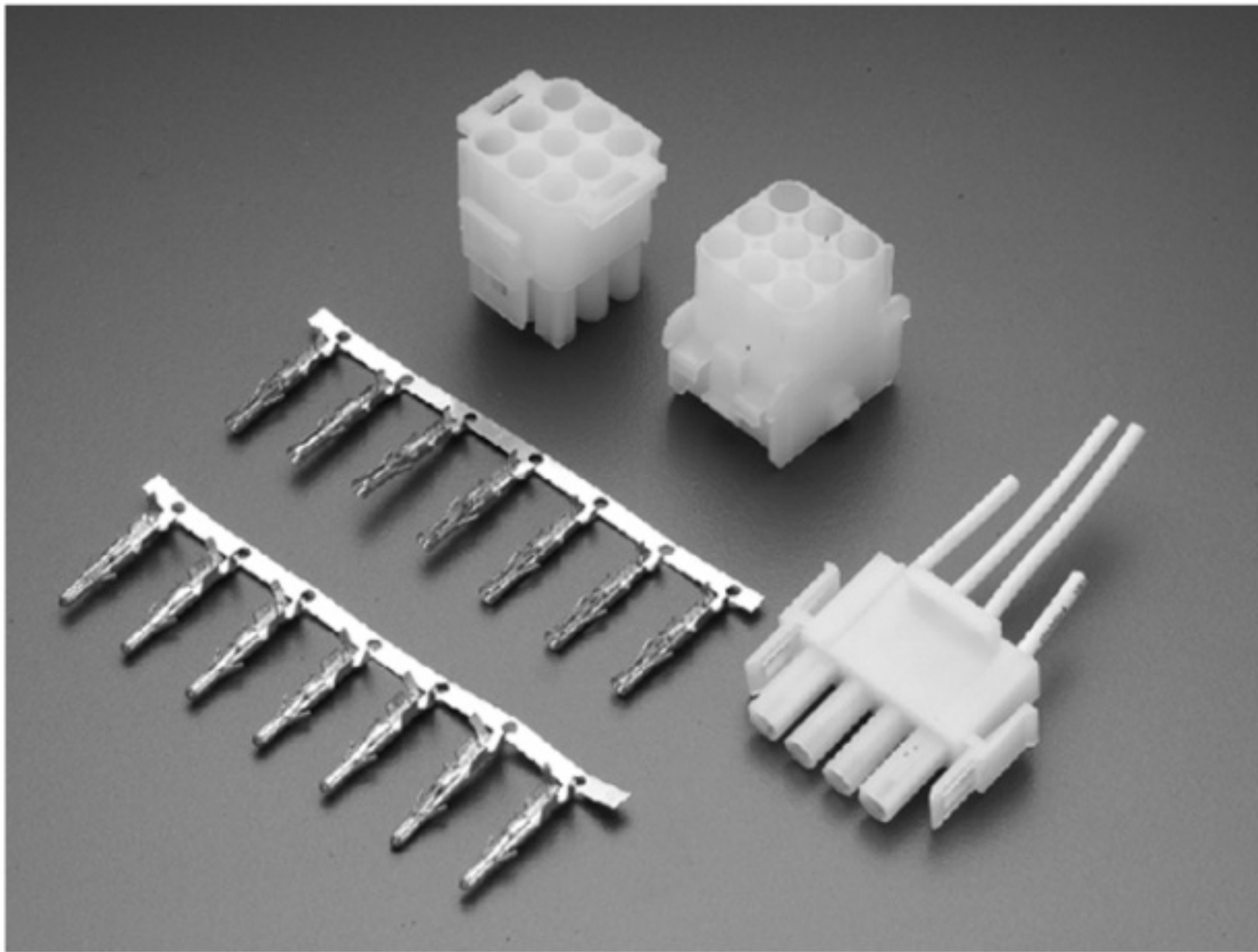


# E021H/E121H SERIES

6.35mm PITCH WIRE TO WIRE CONNECTOR



## Specifications

Current rating: 13A AC,DC

Voltage rating: 600V AC,DC

Temperature range: -25°C to +85°C  
(including temperature rise)

Contact resistance: Initial value/ 10m Ω Max.

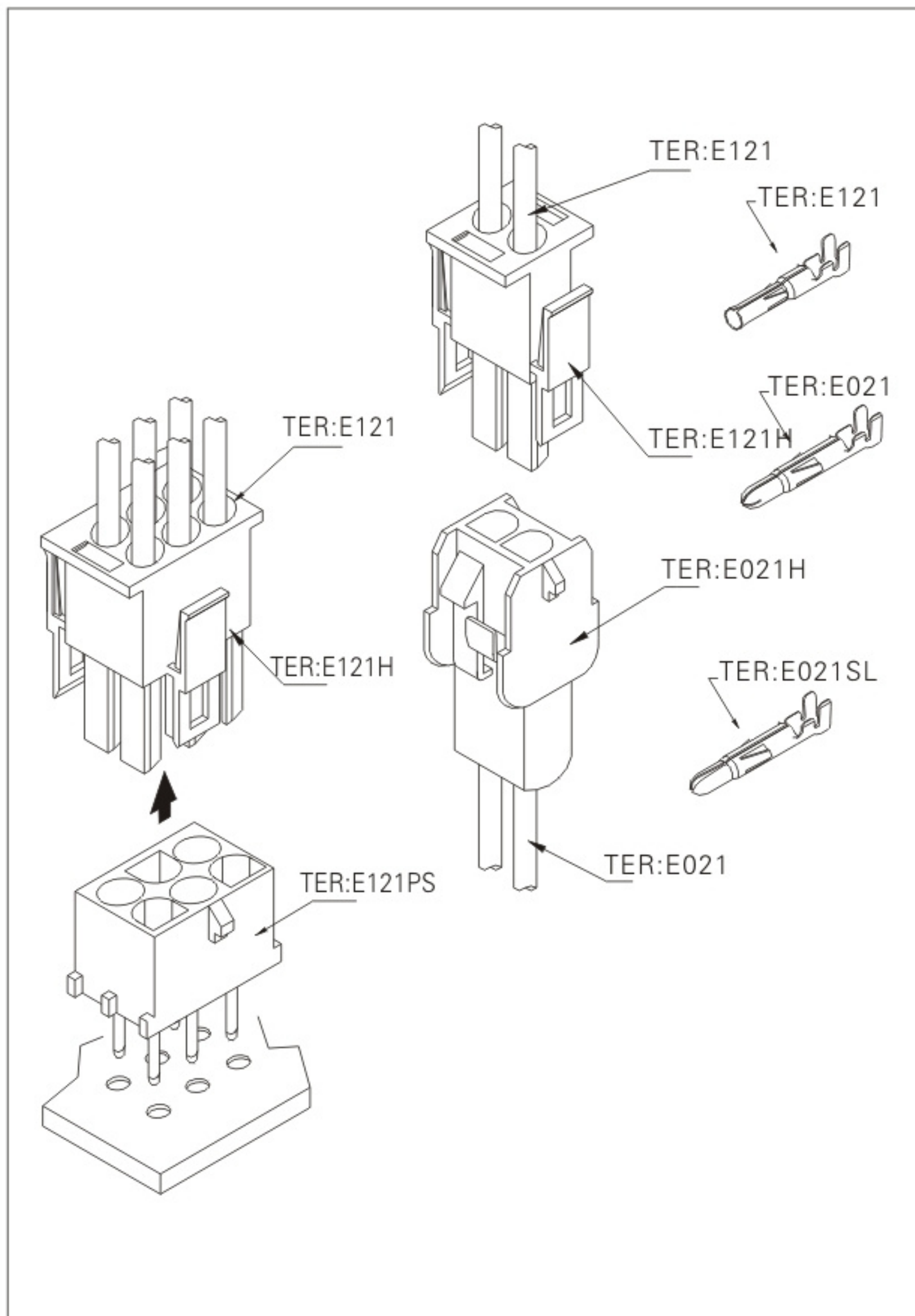
After environmental testing/20m Ω Max.

Insulation resistance: 1000M Ω Min.

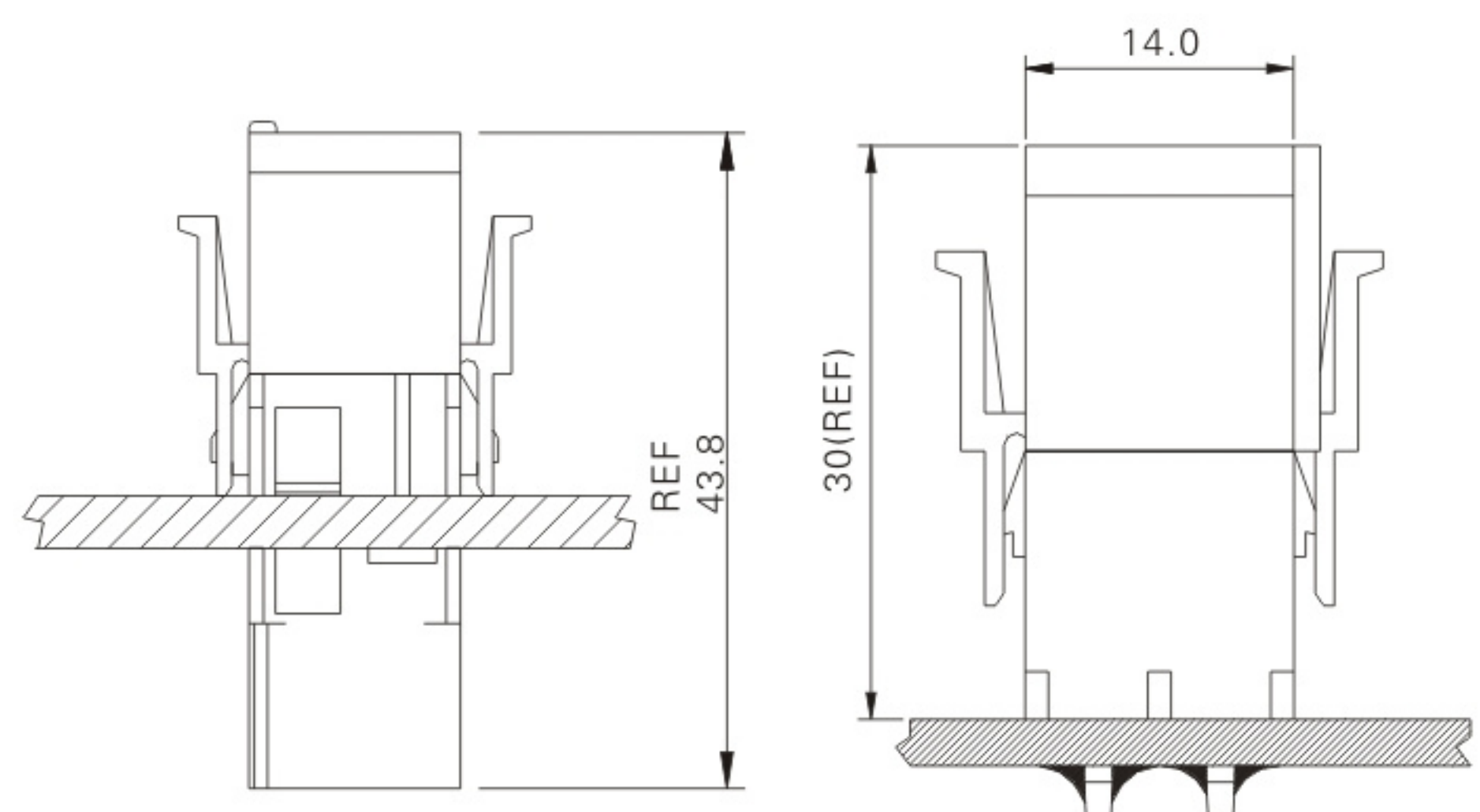
Withstanding voltage: 1500V AC/minute

Applicable wire: T1: AWG#14-#20

T2: AWG#18-#24



## Assembly layout



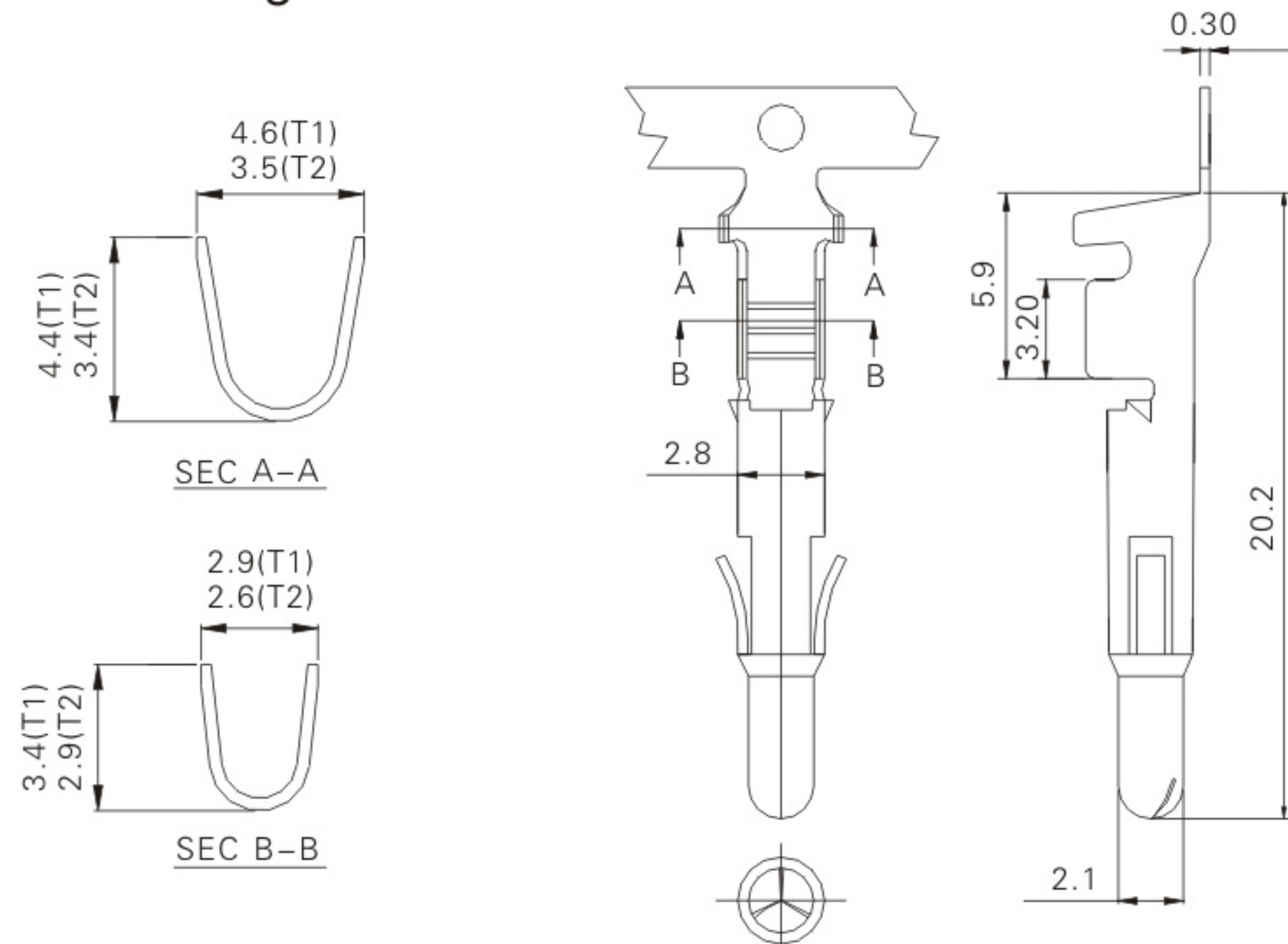


# E021 (6.35mm pitch crimp terminal)

## Reference Informations:

\*Thickness: 0.30mm

\*Mates With: E021H series Housing



## Ordering Information & Specifications

Unit: mm

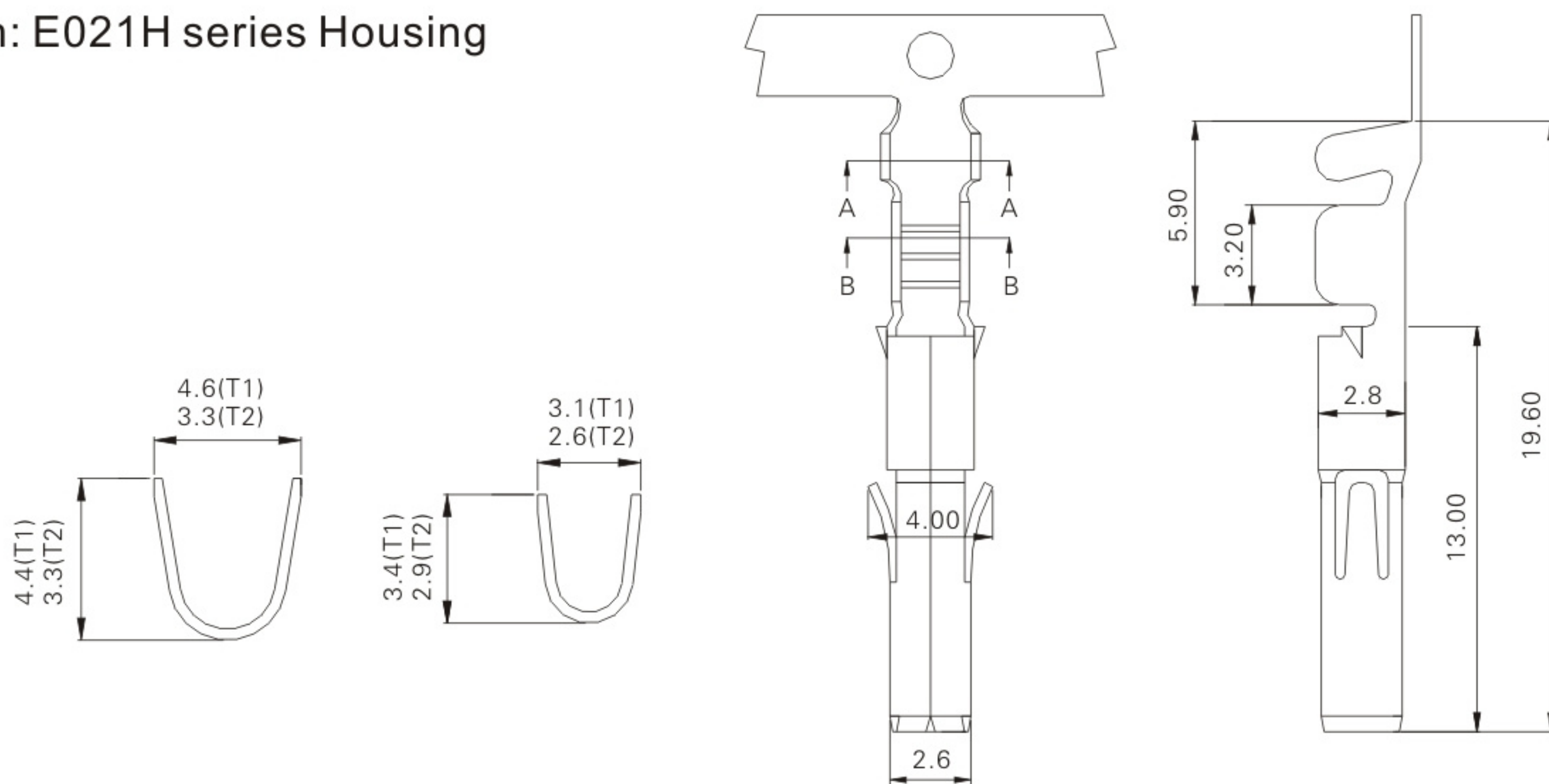
| Part No. | Wire Range | Insulation O.D. | Material | Finish     | Qty/reel |
|----------|------------|-----------------|----------|------------|----------|
| E021T1   | AWG#20-14  | 3.4mm(max)      | Phosphor | Tin-plated | 5000     |
| E021T2   | AWG#24-18  | 3.4mm(max)      | Phosphor | Tin-plated | 7000     |

# E121 (6.35mm pitch crimp terminal)

## Reference Informations:

\*Thickness: 0.30mm

\*Mates With: E021H series Housing



## Ordering Information & Specifications

Unit: mm

| Part No. | Wire Range | Insulation O.D. | Material | Finish     | Qty/reel |
|----------|------------|-----------------|----------|------------|----------|
| E121T1   | AWG#20-14  | 3.4mm(max)      | Brosphor | Tin-plated | 5000     |
| E121T2   | AWG#24-18  | 3.4mm(max)      | Brosphor | Tin-plated | 7000     |



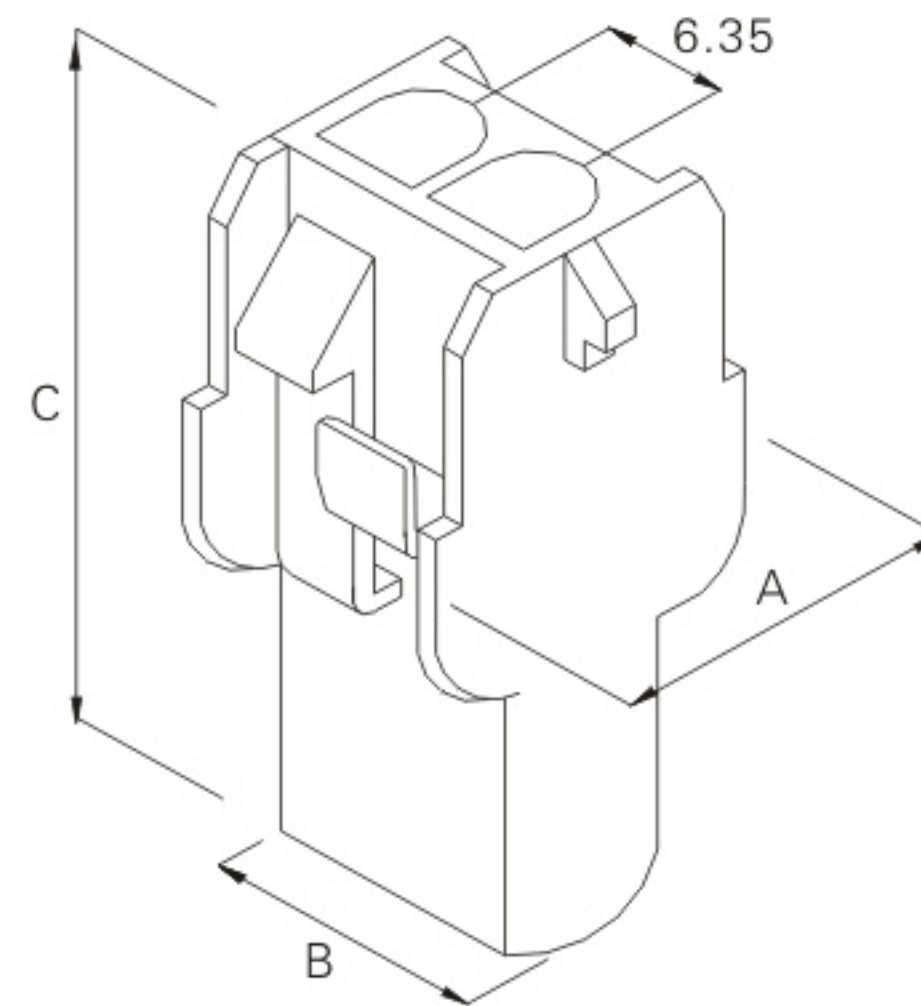
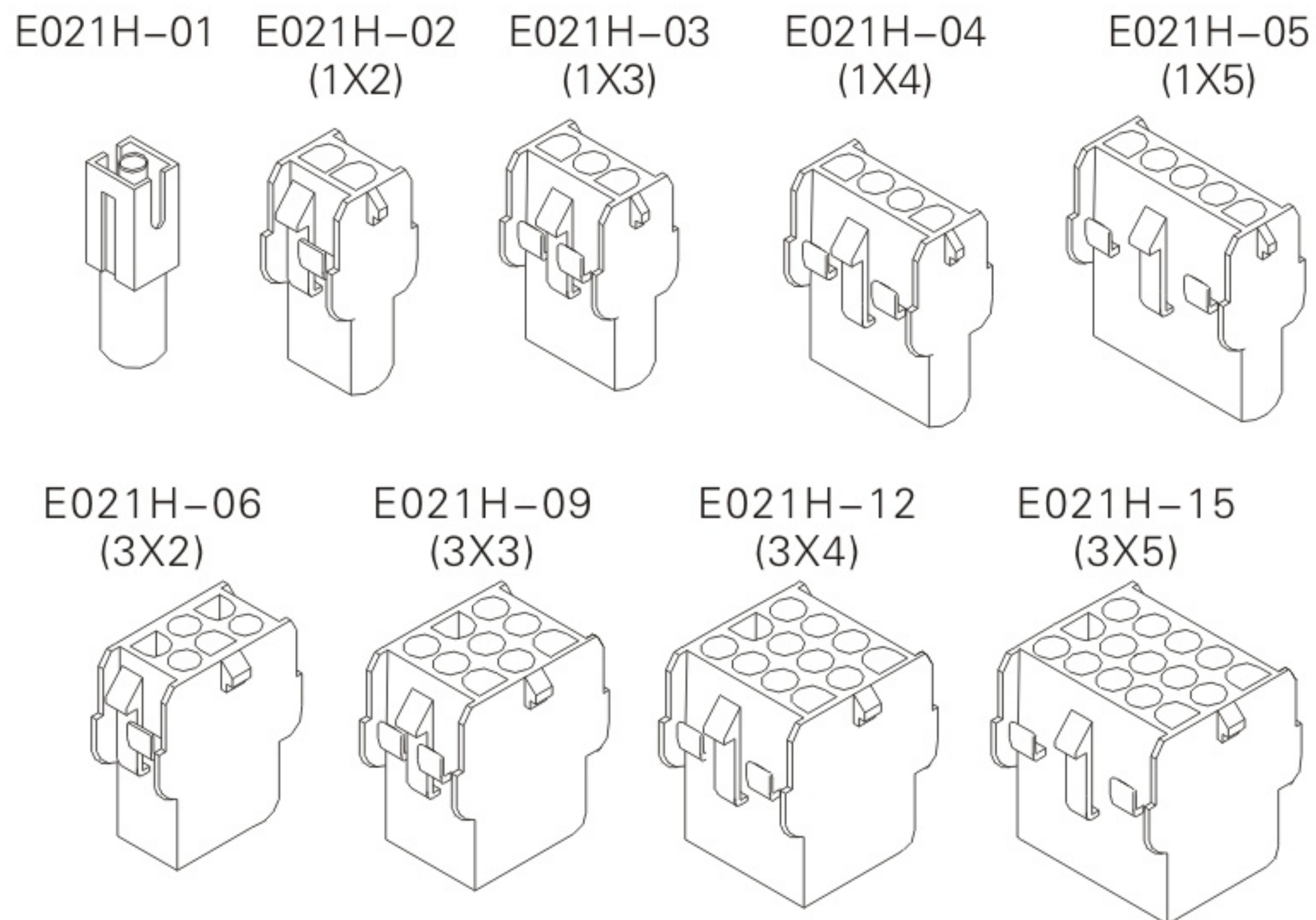
## E021H (6.35mm pitch crimp housing)

### Reference Informations:

\*Mat'l: Nylon 66 UL94 V-2

\*Mates With: E021 series Terminal

\*Mates With: E121H series Housing



### Ordering Information & Dimensions

| Circuits | Part No.      | DIM.(mm) |      |      |
|----------|---------------|----------|------|------|
|          |               | A        | B    | C    |
| 01       | E021H-01      | 9.6      | 9.6  | 27.7 |
| 02       | E021H-02(1X2) | 15.7     | 14.0 | 27.6 |
| 03       | E021H-03(1X3) | 15.7     | 20.4 | 27.6 |
| 04       | E021H-04(1X4) | 15.7     | 26.7 | 27.6 |
| 05       | E021H-05(1X5) | 15.7     | 33.0 | 27.6 |
| 06       | E021H-06(3X2) | 28.5     | 14.0 | 27.6 |
| 09       | E021H-09(3X3) | 28.5     | 20.3 | 27.6 |
| 12       | E021H-12(3X4) | 28.5     | 26.7 | 27.6 |
| 15       | E021H-15(3X5) | 28.5     | 33.0 | 27.6 |

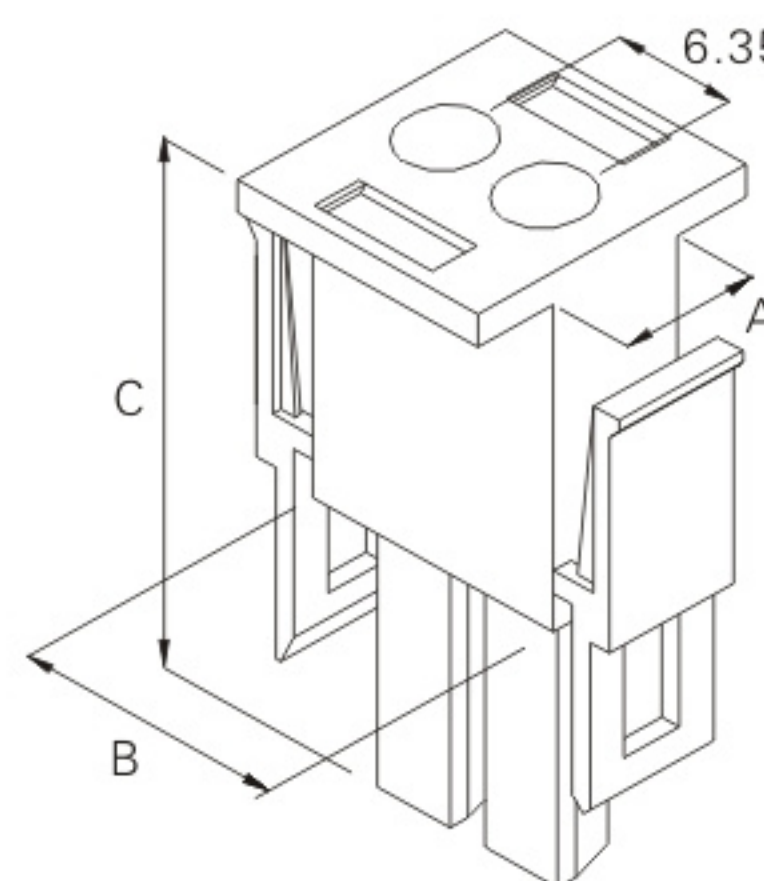
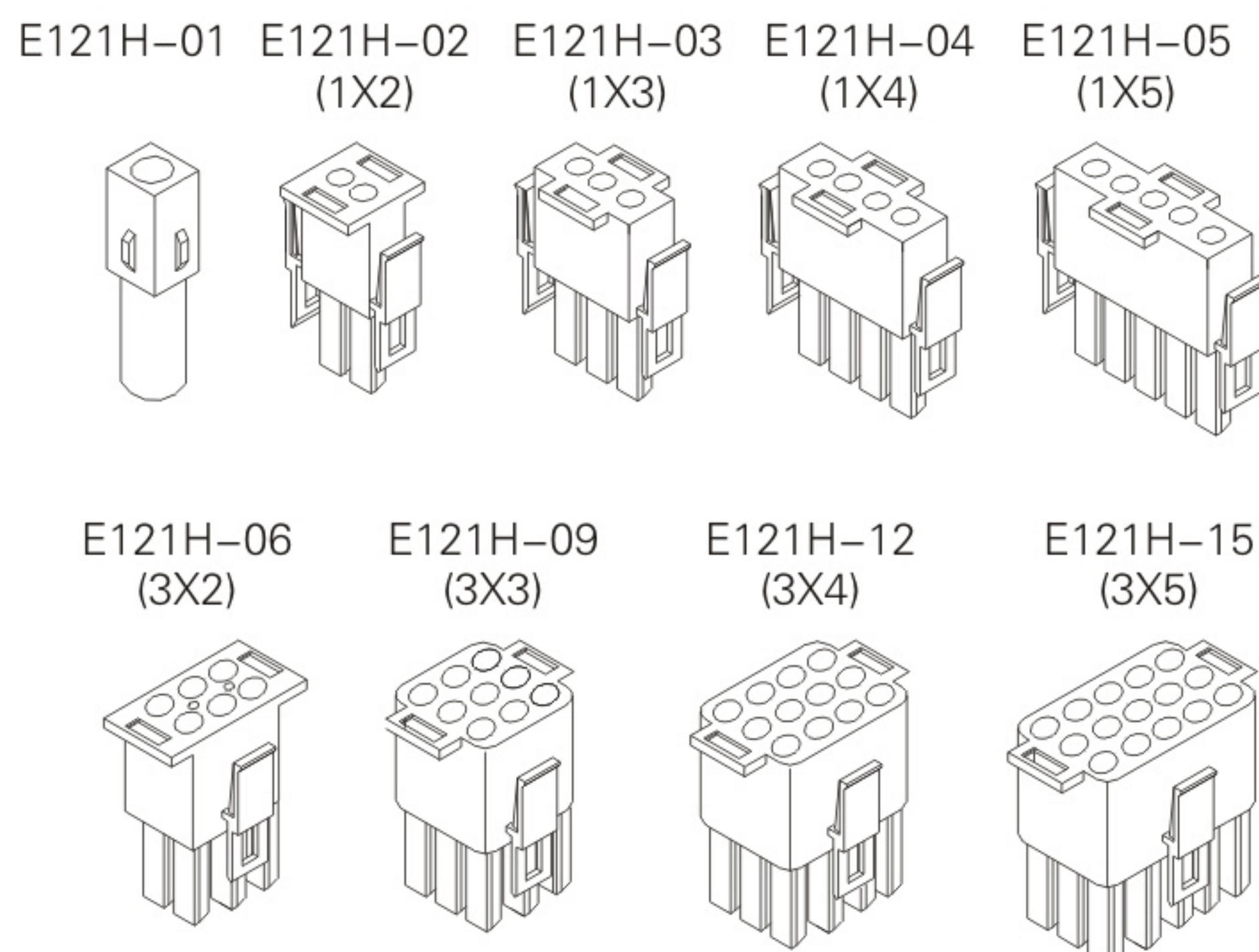
## E121H (6.35mm pitch crimp housing)

### Reference Informations:

\*Mat'l: Nylon 66 UL94 V-2

\*Mates With: E121 series Terminal

\*Mates With: E021 series Housing



### Ordering Information & Dimensions

| Circuits | Part No.      | DIM.(mm) |      |      |
|----------|---------------|----------|------|------|
|          |               | A        | B    | C    |
| 01       | E121H-01      | 7.4      | 7.4  | 28.0 |
| 02       | E121H-02(1X2) | 7.6      | 14.3 | 27.9 |
| 03       | E121H-03(1X3) | 7.6      | 20.7 | 27.9 |
| 04       | E121H-04(1X4) | 7.6      | 27.1 | 27.9 |
| 05       | E121H-05(1X5) | 7.6      | 33.0 | 27.9 |
| 06       | E121H-06(3X2) | 20.2     | 14.2 | 27.9 |
| 09       | E121H-09(3X3) | 20.2     | 20.3 | 27.9 |
| 12       | E121H-12(3X4) | 20.2     | 26.7 | 27.9 |
| 15       | E121H-15(3X5) | 20.2     | 33.0 | 27.9 |



# E121PS (6.35mm pitch crimp 180° wafer)

## Reference Informations:

\*Mat'l:body: Nylon 66 UL94V-2

\*Pins: Phosphor Bronze Tin Plated

\*Mates With : E121H series Housing

\*Accepts With : E121 series Terminal

E121PS-06(2x3)

