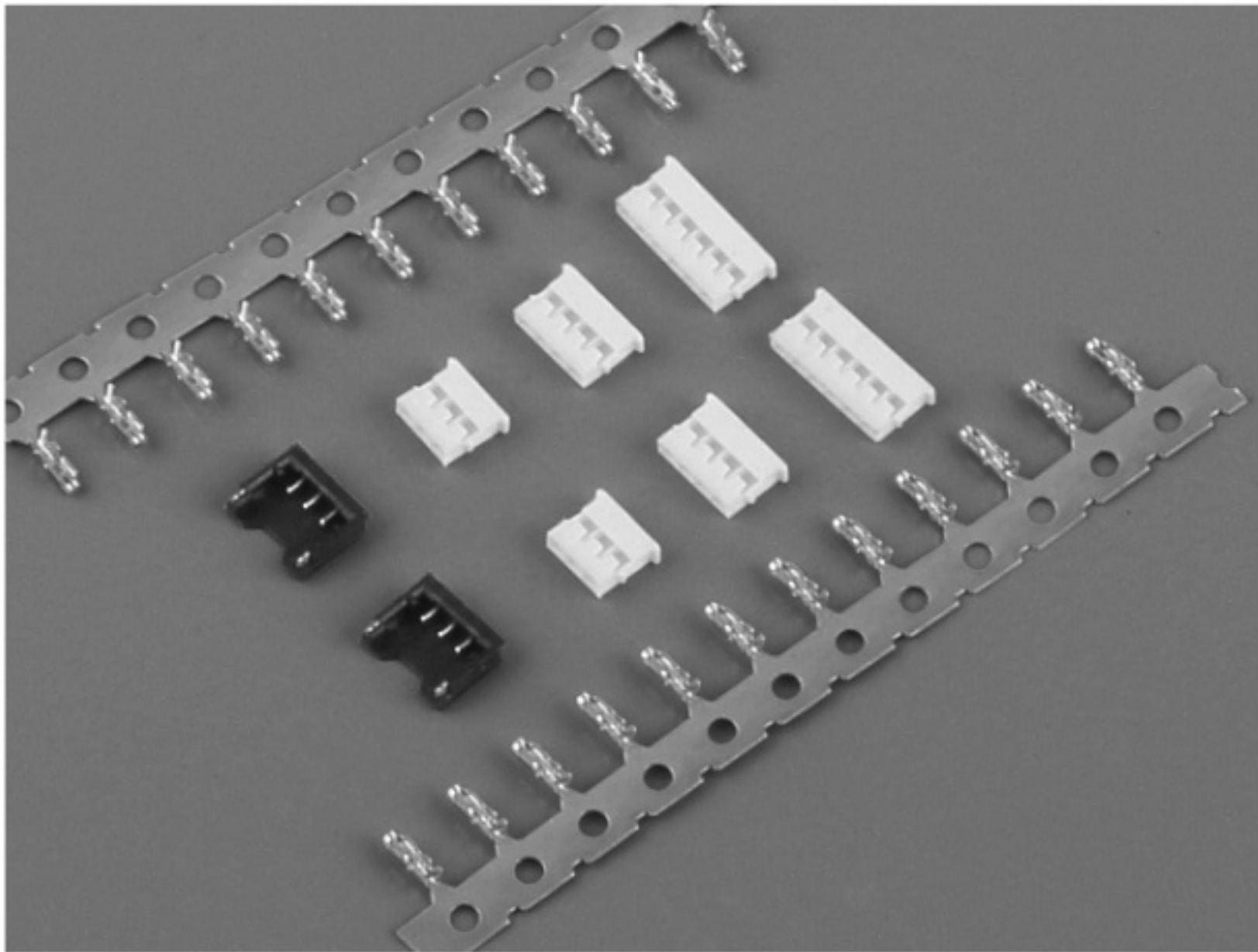


E1201H SERIES

1.20mm PITCH WIRE TO BOARD CONNECTOR



Specifications

Current rating: 1A AC,DC

Voltage rating: 125V AC,DC

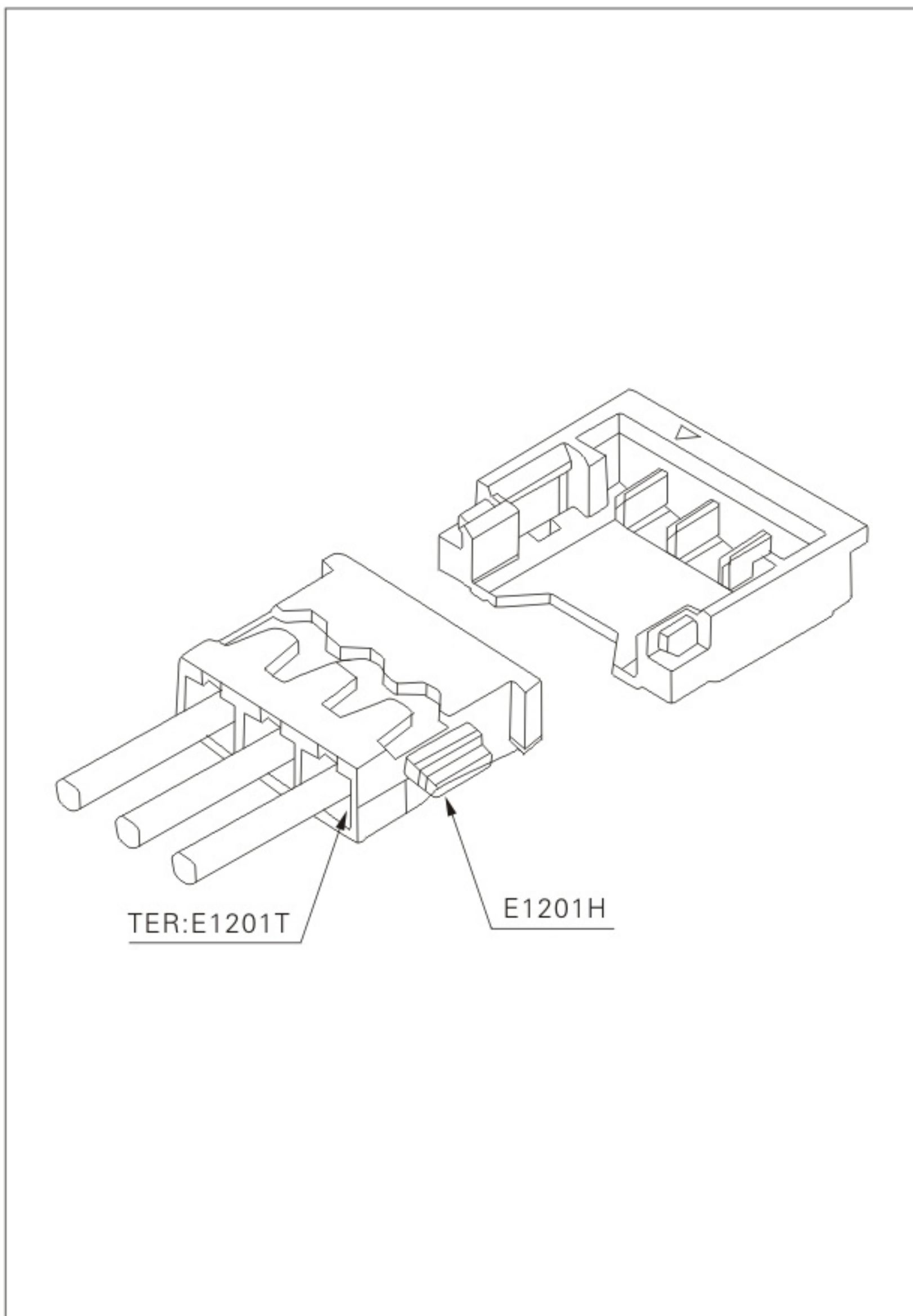
Temperature range: -25°C~+85°C

Contact resistance: 20mΩ Max.

Insulation resistance: 100MΩ Min.

Withstanding voltage: 500V AC/minute

Applicable wire: AWG#28-#32

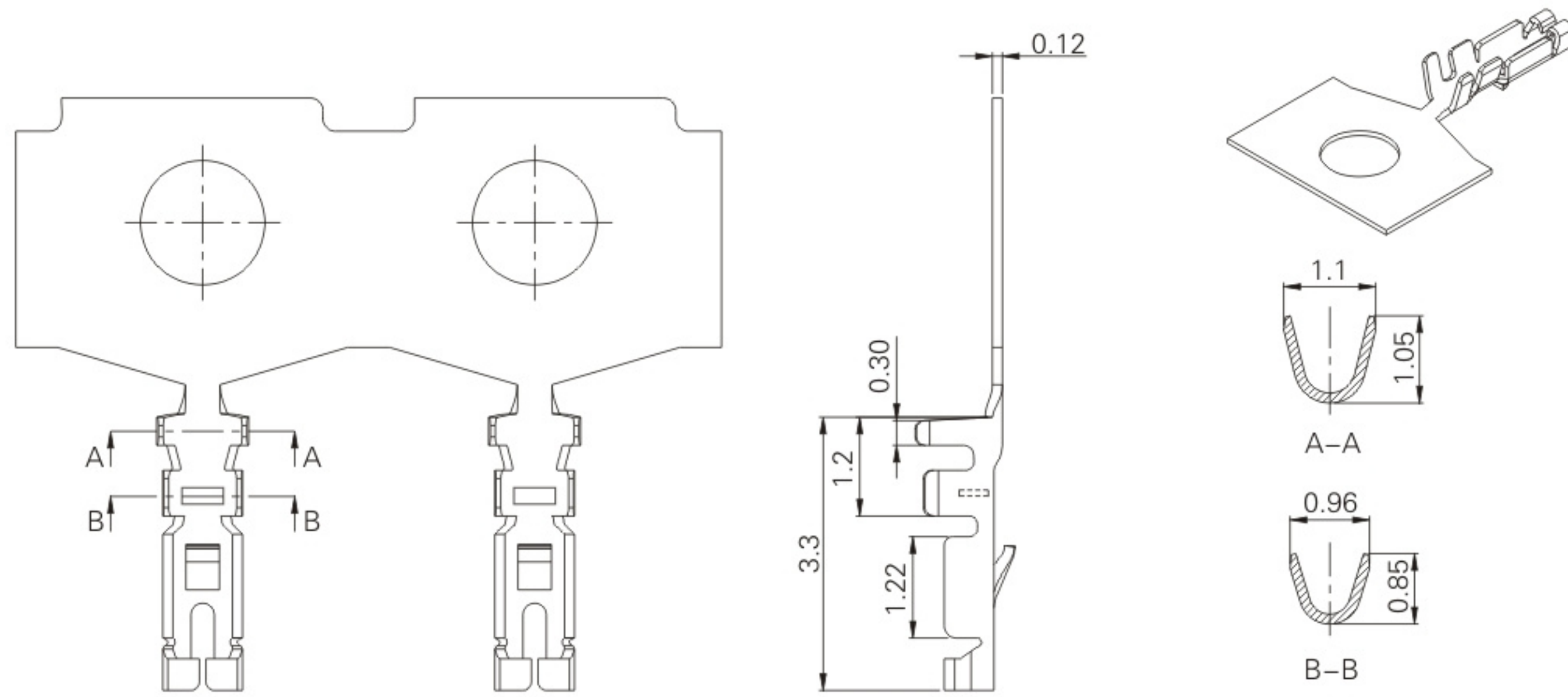


Assembly layout

E1201-T (1.20mm pitch crimp terminal)

Reference Informations:

*Used in E1201H series Housing



Ordering Information & Specifications

Unit: mm

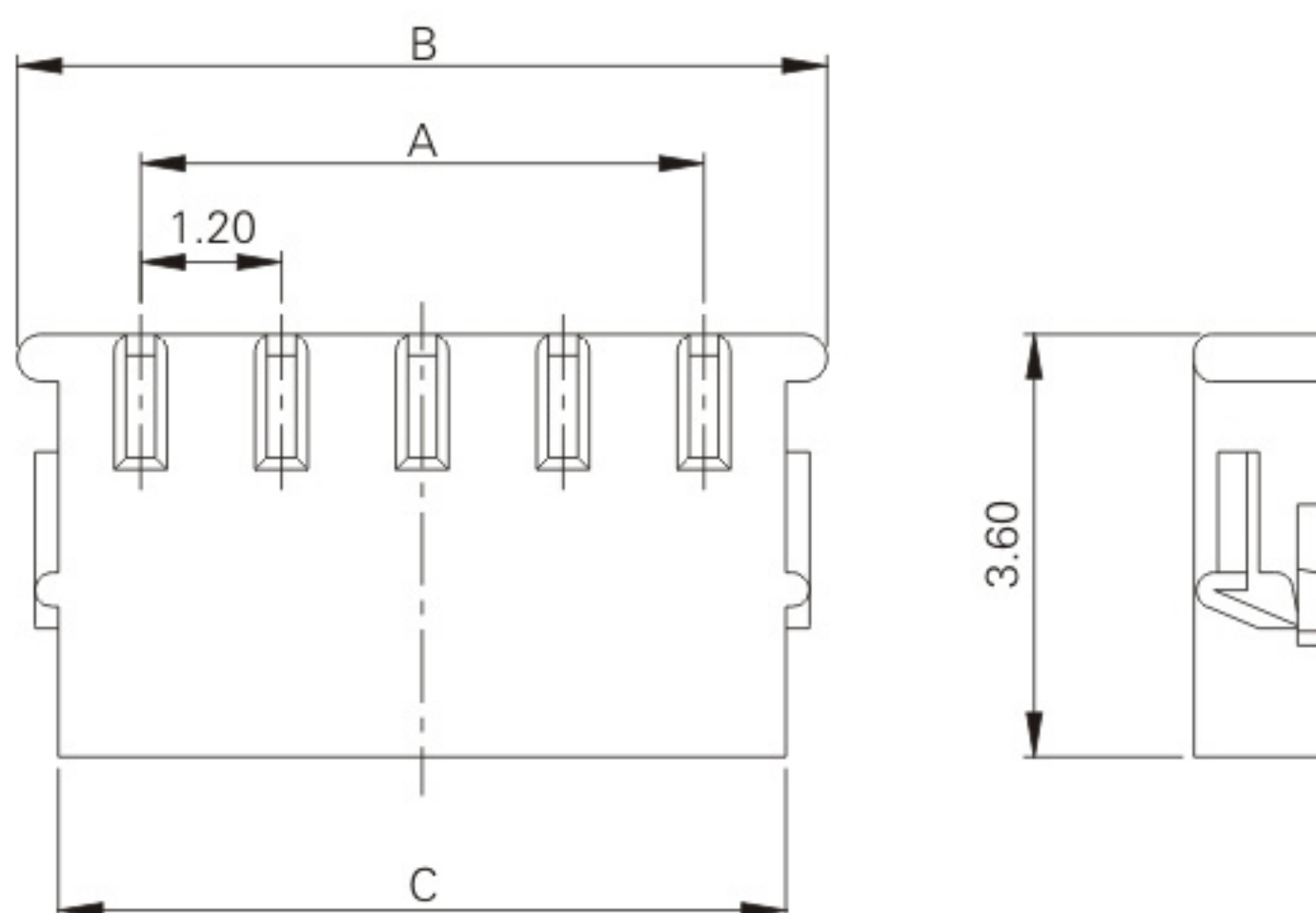
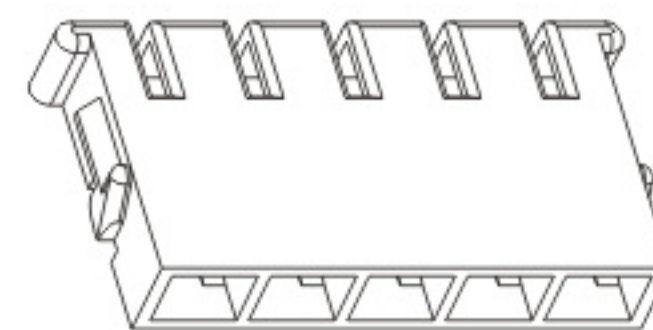
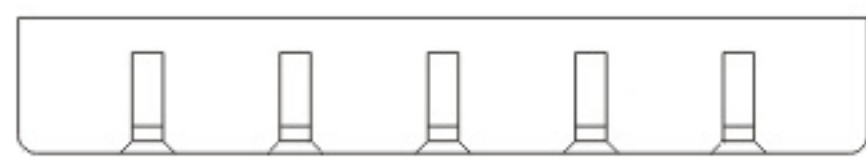
Part No.	Wire Range	Insulation O.D.	Material	Finish	Qty/reel
E1201P-00	AWG#28-#32	0.8mm(max)	Phosphor Bronze	Gold-flash	20.000pcs

E1201H-NP (1.20mm pitch crimp housing)

Reference Informations:

*Material:Nylon66 UL94V-0
LCP UL94V-0(Halogen Free)

*Suitable E1201-T series Terminal



Ordering Information & Dimensions

Circuits	Part No.	DIM.(mm)		
		A	B	C
02	E1201H-02P	1.20	3.30	2.60
03	E1201H-03P	2.40	4.50	3.80
04	E1201H-04P	3.60	5.70	5.00
05	E1201H-05P	4.80	6.90	6.20
06	E1201H-06P	6.00	8.10	7.40
07	E1201H-07P	7.20	9.30	8.60