

## Specifications

Current Rating: 2A AC,DC

Voltage Rating: 250V AC,DC

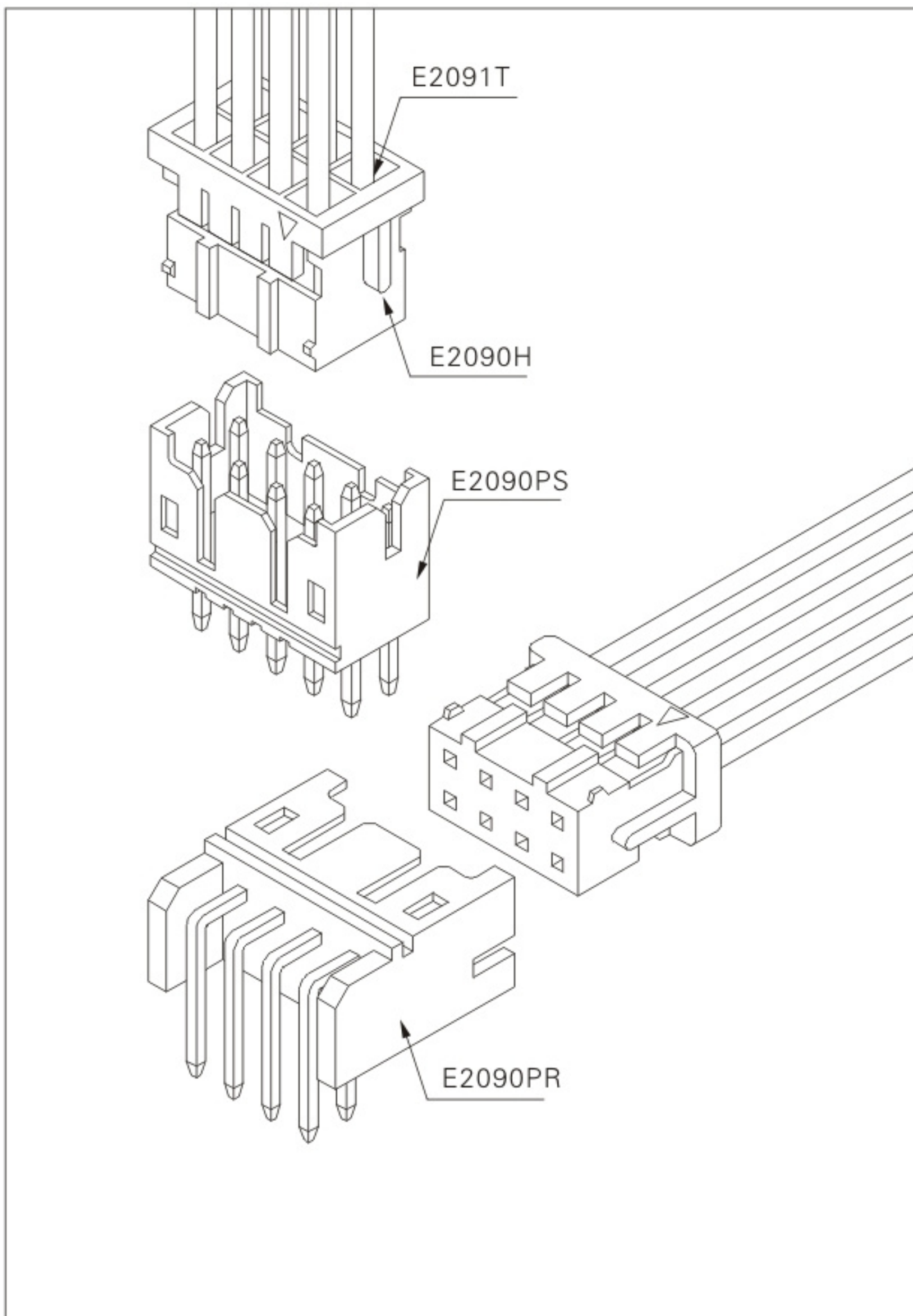
Temperature Range: -25°C~+85°C

Contact Resistance: 30mΩ Max.

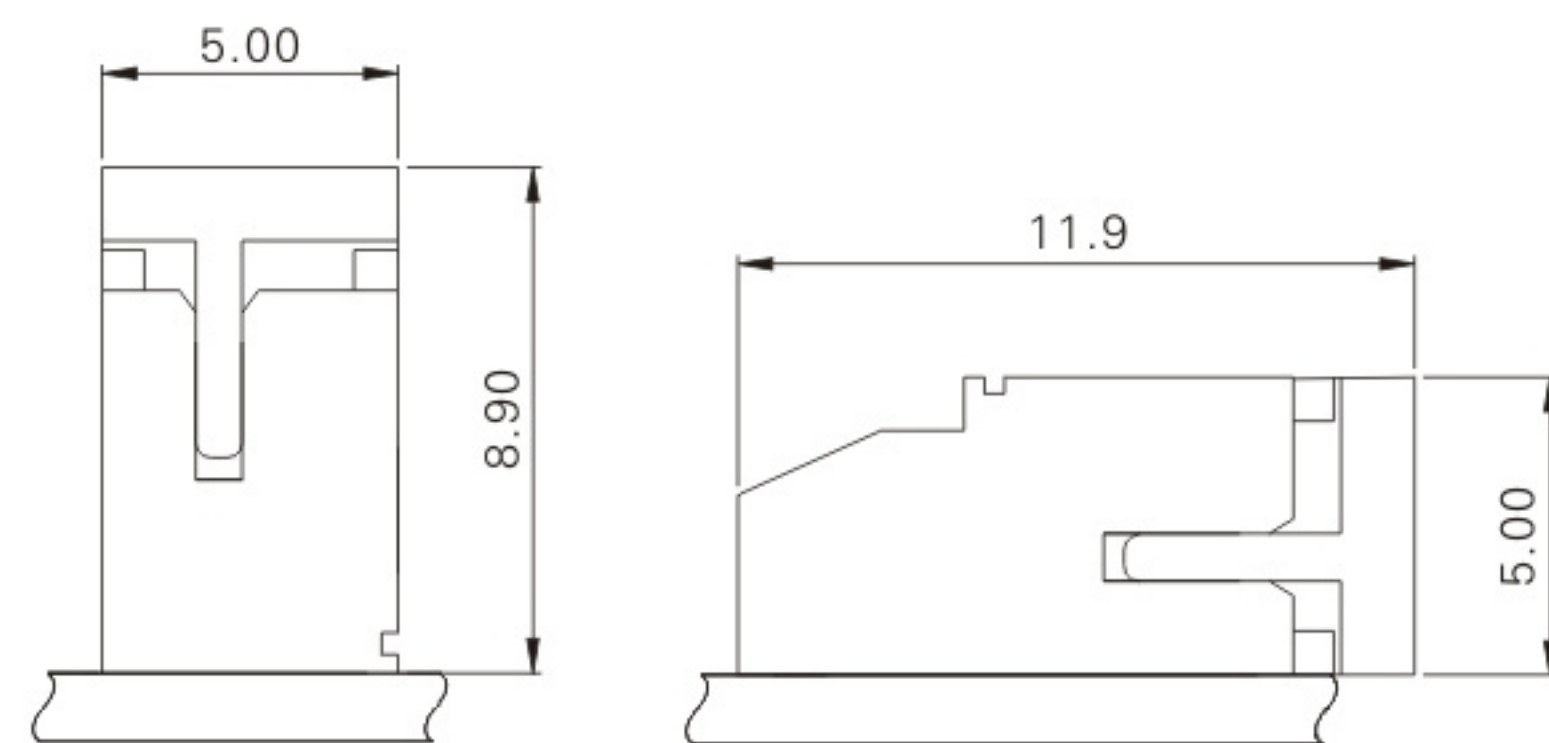
Insulation Resistance: 1000MΩ Min.

Withstanding Voltage: 800V AC/minute

Applicable wire: AWG#22-#28



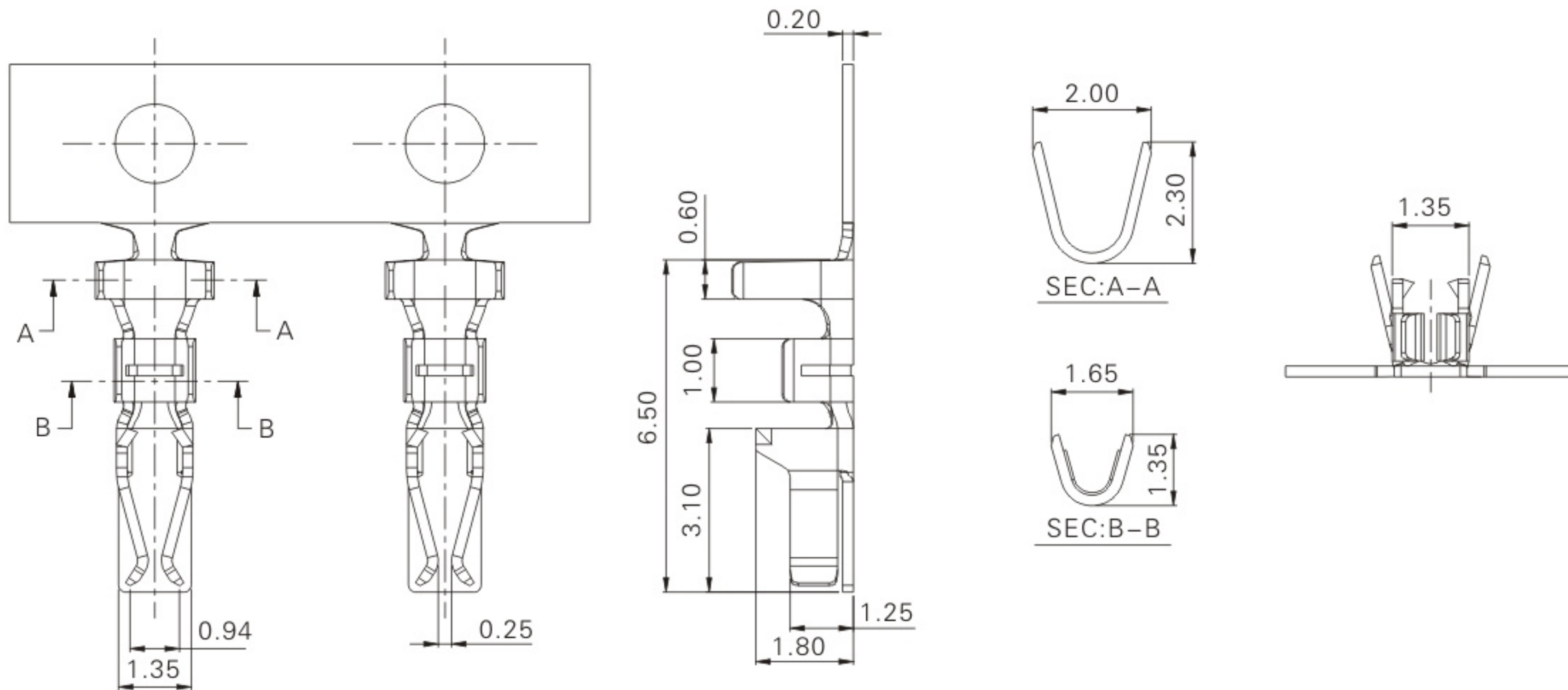
## Assembly layout



# E2091-T (2.00mm pitch crimp terminal)

## Reference Informations:

\*Used in E2091H series Housing



## Ordering Information & Specifications

Unit: mm

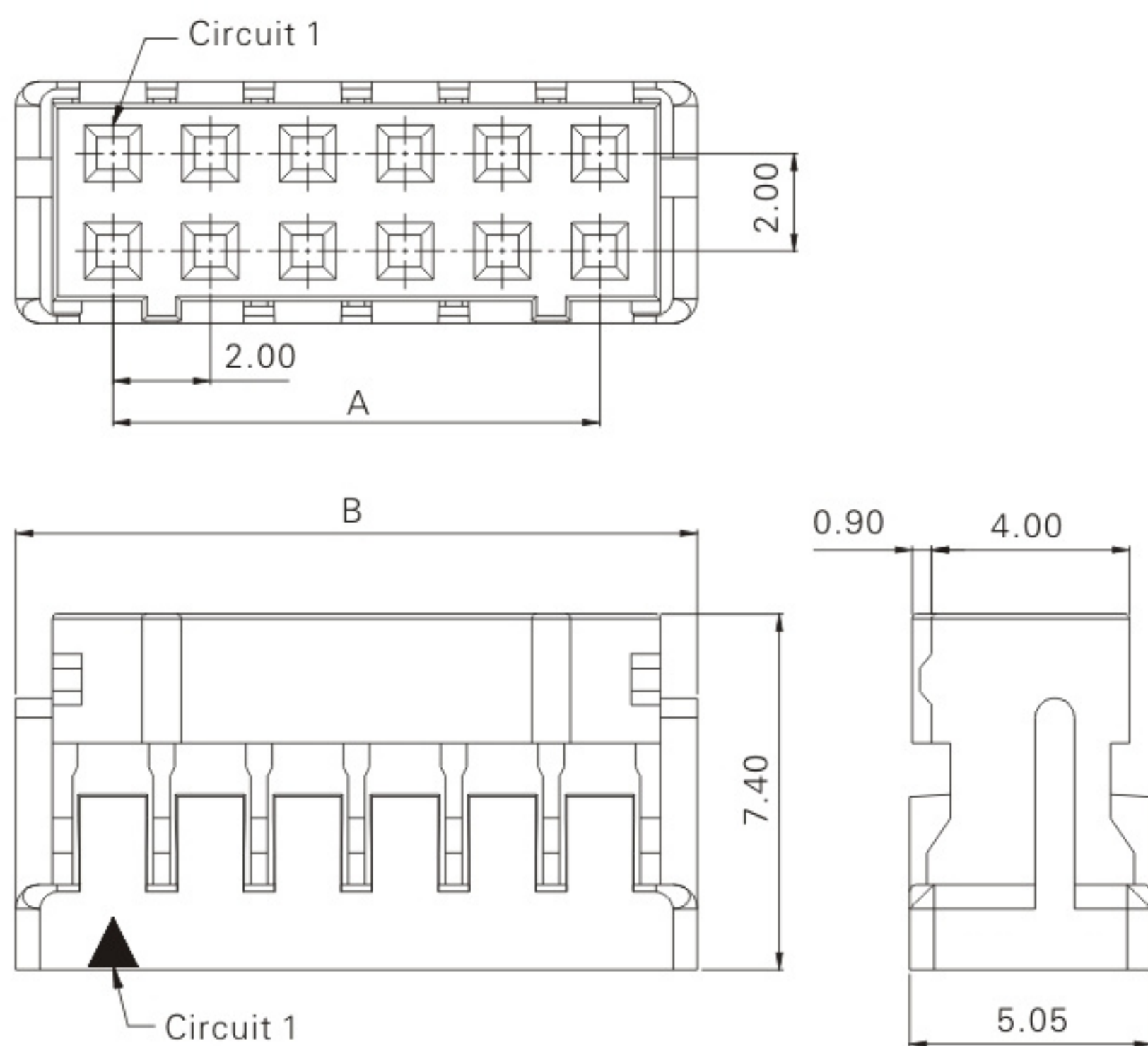
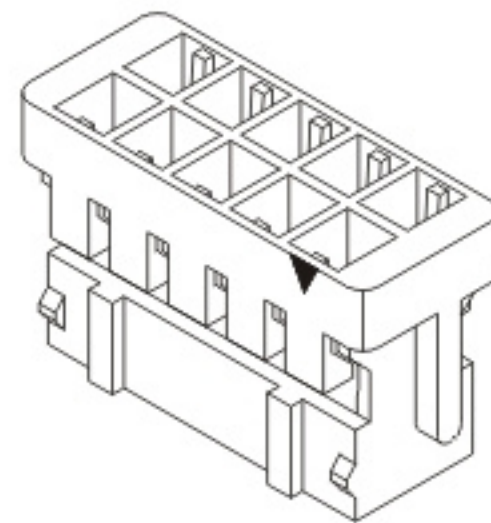
| Part No. | Wire Range | Insulation O.D. | Material        | Finish     | Qty/reel  |
|----------|------------|-----------------|-----------------|------------|-----------|
| E2091P   | AWG#22#28  | 1.40mm(mak)     | Phosphor Bronze | Tin-plated | 10,000pcs |

# E2091H-2XNP (2.00mm pitch dual row housing)

## Reference Informations:

\*Material: Nylon 66, UL94V-0

\*Suitable E2091-T series Terminal



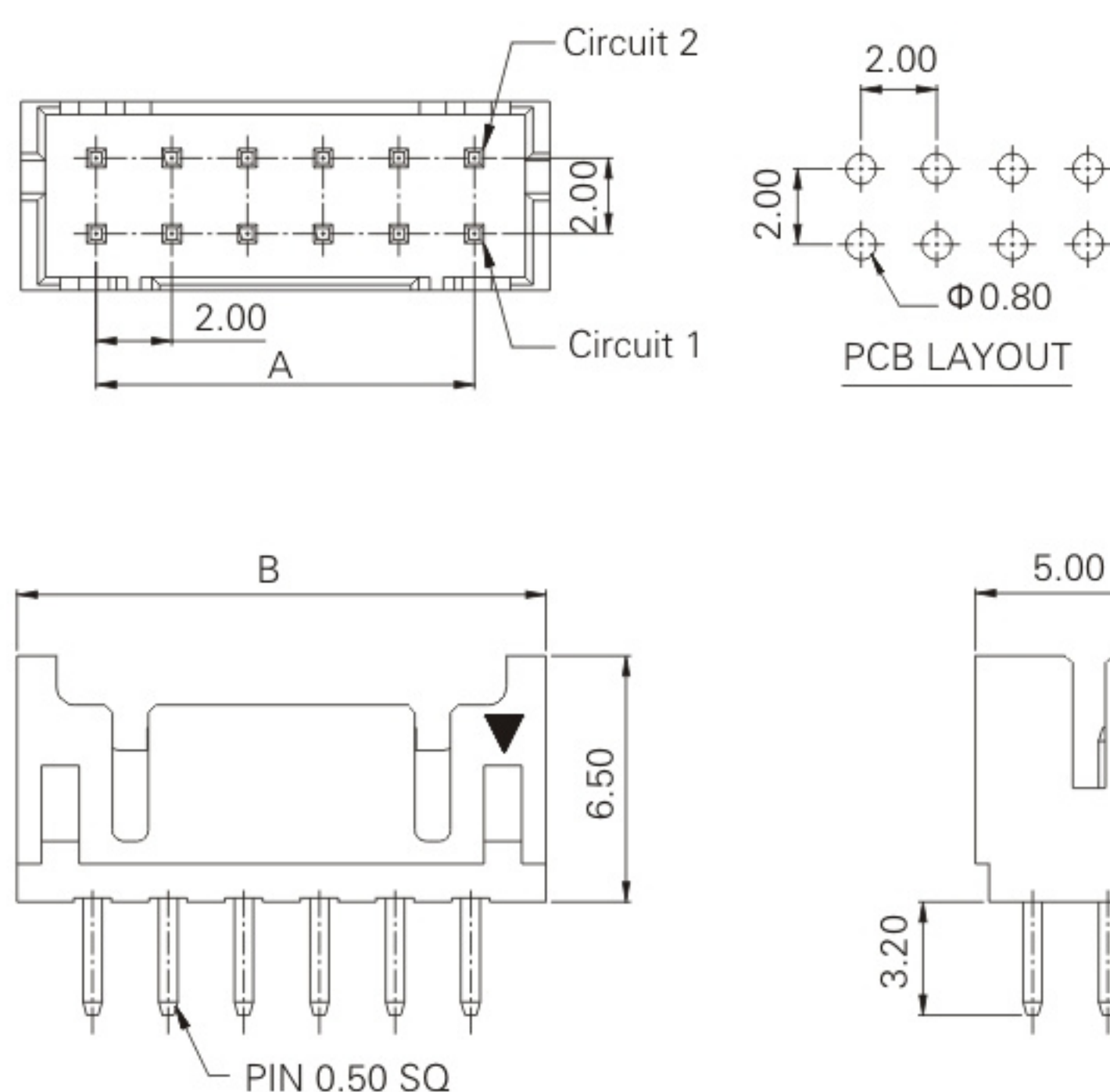
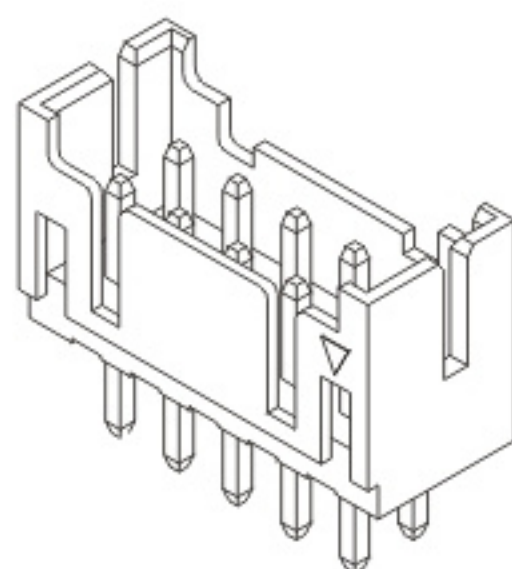
## Ordering Information & Dimensions

| Circuits | Part No.     | DIM.(mm) |       |
|----------|--------------|----------|-------|
|          |              | A        | B     |
| 04       | E2091H-2X02P | 2.00     | 6.00  |
| 06       | E2091H-2X03P | 4.00     | 8.00  |
| 08       | E2091H-2X04P | 6.00     | 10.00 |
| 10       | E2091H-2X05P | 8.00     | 12.00 |
| 12       | E2091H-2X06P | 10.00    | 14.00 |
| 14       | E2091H-2X07P | 12.00    | 16.00 |
| 16       | E2091H-2X08P | 14.00    | 18.00 |
| 18       | E2091H-2X09P | 16.00    | 20.00 |
| 20       | E2091H-2X10P | 18.00    | 22.00 |
| 22       | E2091H-2X11P | 20.00    | 24.00 |
| 24       | E2091H-2X12P | 22.00    | 26.00 |
| 26       | E2091H-2X13P | 24.00    | 28.00 |
| 28       | E2091H-2X14P | 26.00    | 30.00 |
| 30       | E2091H-2X15P | 28.00    | 32.00 |
| 32       | E2091H-2X16P | 30.00    | 34.00 |
| 34       | E2091H-2X17P | 32.00    | 36.00 |
| 36       | E2091H-2X18P | 34.00    | 38.00 |
| 38       | E2091H-2X19P | 36.00    | 40.00 |
| 40       | E2091H-2X20P | 38.00    | 42.00 |

# E2091PS-2XNP (2.00mm pitch 180° dual row wafer)

## Reference Informations:

- \*Material:Pin:Brass/Tin-plated  
Wafer:PA66,UL94V-0/Black
- \*Suitable E2091H series Housing



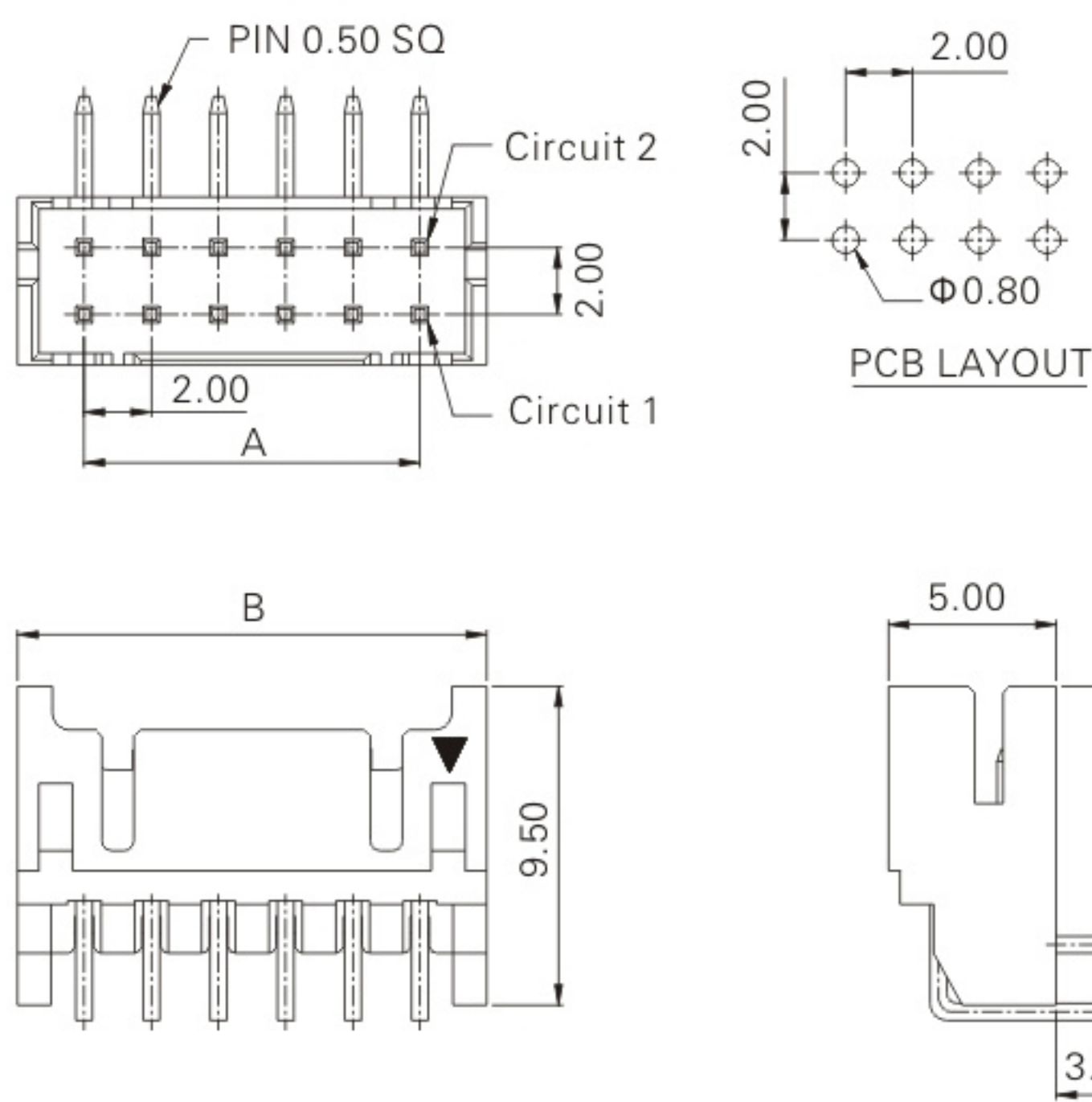
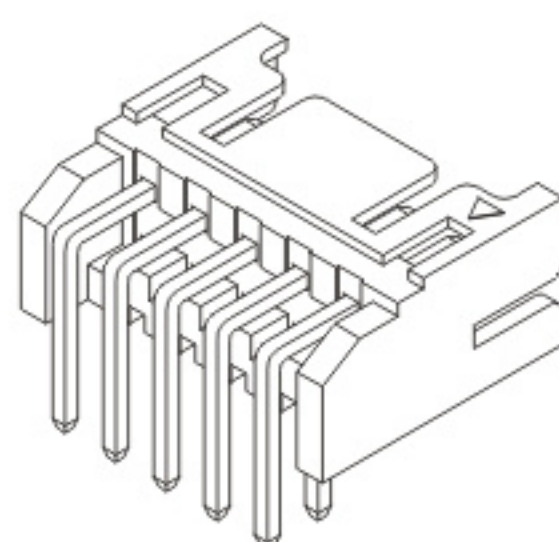
## Ordering Information & Dimensions

| Circuits | Part No.      | DIM.(mm) |       |
|----------|---------------|----------|-------|
|          |               | A        | B     |
| 02       | E2091PS-2X02P | 2.00     | 6.00  |
| 03       | E2091PS-2X03P | 4.00     | 8.00  |
| 04       | E2091PS-2X04P | 6.00     | 10.00 |
| 05       | E2091PS-2X05P | 8.00     | 12.00 |
| 06       | E2091PS-2X06P | 10.00    | 14.00 |
| 07       | E2091PS-2X07P | 12.00    | 16.00 |
| 08       | E2091PS-2X08P | 14.00    | 18.00 |
| 09       | E2091PS-2X09P | 16.00    | 20.00 |
| 10       | E2091PS-2X10P | 18.00    | 22.00 |
| 11       | E2091PS-2X11P | 20.00    | 24.00 |
| 12       | E2091PS-2X12P | 22.00    | 26.00 |
| 13       | E2091PS-2X13P | 24.00    | 28.00 |
| 14       | E2091PS-2X14P | 26.00    | 30.00 |
| 15       | E2091PS-2X15P | 28.00    | 32.00 |
| 16       | E2091PS-2X16P | 30.00    | 34.00 |
| 17       | E2091PS-2X17P | 32.00    | 36.00 |
| 18       | E2091PS-2X18P | 34.00    | 38.00 |
| 19       | E2091PS-2X19P | 36.00    | 40.00 |
| 20       | E2091PS-2X20P | 38.00    | 42.00 |

# E2091PR-2XNP (2.00mm pitch 90° dual row wafer)

## Reference Informations:

- \*Material:Pin:Brass/Tin-plated  
Wafer:PA66,UL94V-0/Black
- \*Suitable E2091H series Housing



## Ordering Information & Dimensions

| Circuits | Part No.      | DIM.(mm) |       |
|----------|---------------|----------|-------|
|          |               | A        | B     |
| 02       | E2091PR-2X02P | 2.00     | 6.00  |
| 03       | E2091PR-2X03P | 4.00     | 8.00  |
| 04       | E2091PR-2X04P | 6.00     | 10.00 |
| 05       | E2091PR-2X05P | 8.00     | 12.00 |
| 06       | E2091PR-2X06P | 10.00    | 14.00 |
| 07       | E2091PR-2X07P | 12.00    | 16.00 |
| 08       | E2091PR-2X08P | 14.00    | 18.00 |
| 09       | E2091PR-2X09P | 16.00    | 20.00 |
| 10       | E2091PR-2X10P | 18.00    | 22.00 |
| 11       | E2091PR-2X11P | 20.00    | 24.00 |
| 12       | E2091PR-2X12P | 22.00    | 26.00 |
| 13       | E2091PR-2X13P | 24.00    | 28.00 |
| 14       | E2091PR-2X14P | 26.00    | 30.00 |
| 15       | E2091PR-2X15P | 28.00    | 32.00 |
| 16       | E2091PR-2X16P | 30.00    | 34.00 |
| 17       | E2091PR-2X17P | 32.00    | 36.00 |
| 18       | E2091PR-2X18P | 34.00    | 38.00 |
| 19       | E2091PR-2X19P | 36.00    | 40.00 |
| 20       | E2091PR-2X20P | 38.00    | 42.00 |