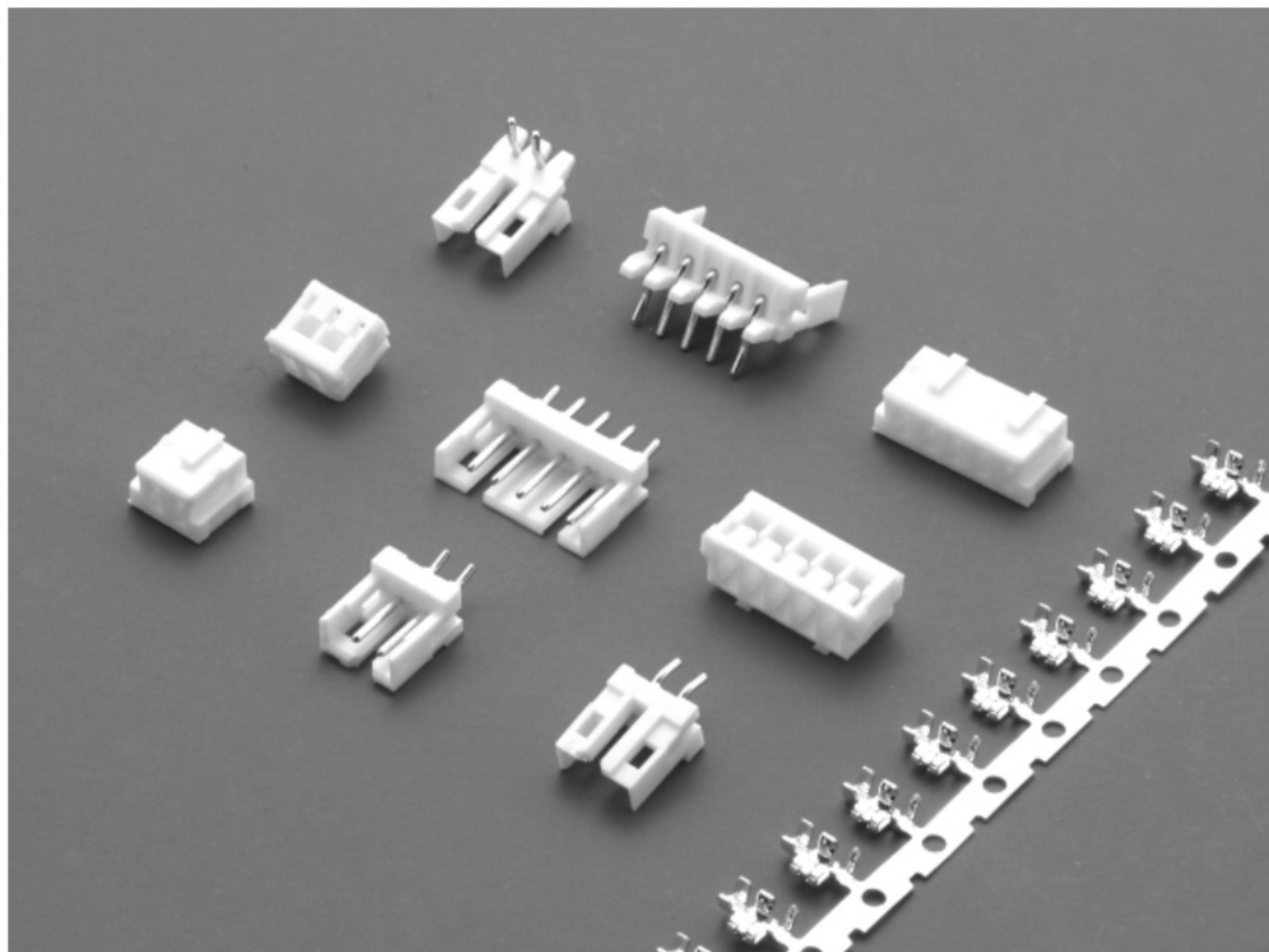


E2092H SERIES

2.00mm PITCH WIRE TO BOARD CONNECTOR



Specifications

Current Rating: 4A AC,DC

Voltage Rating: 125V AC, DC

Temperature Range: -25°C~+85°C

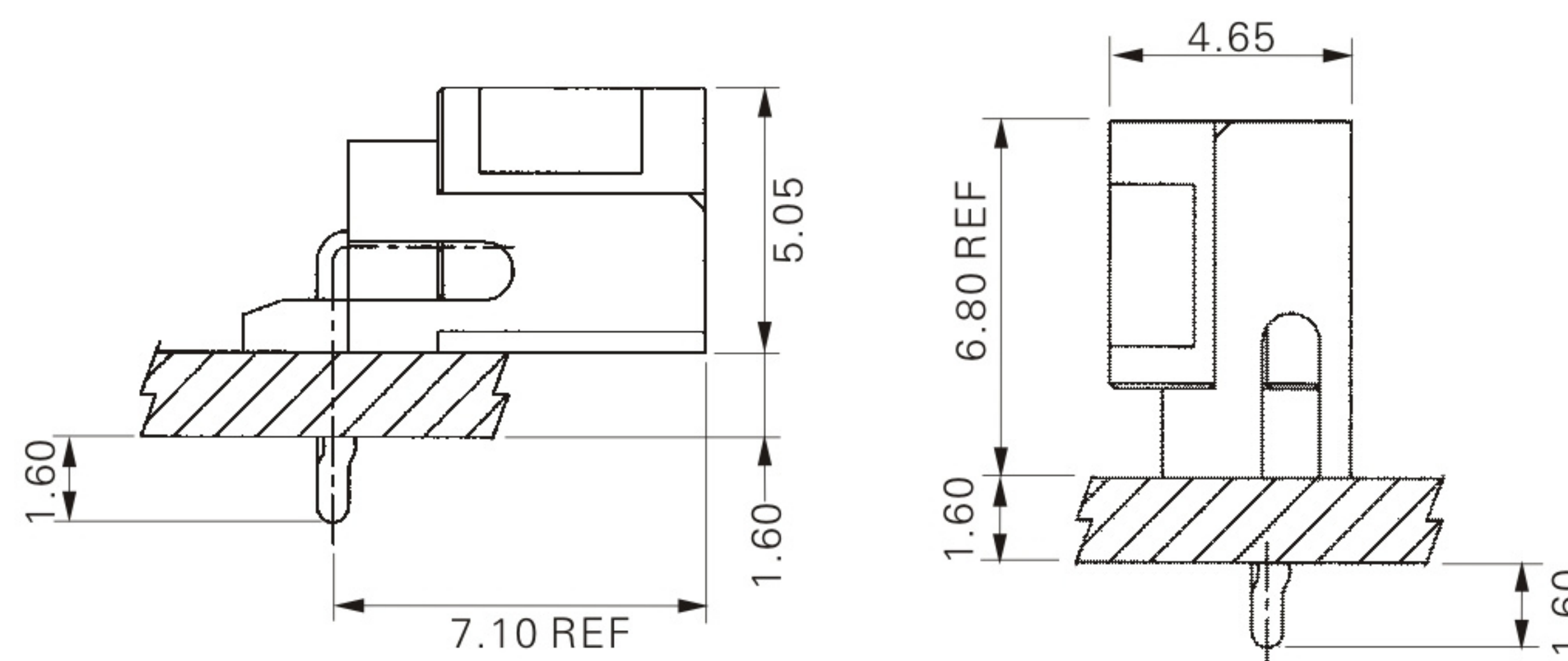
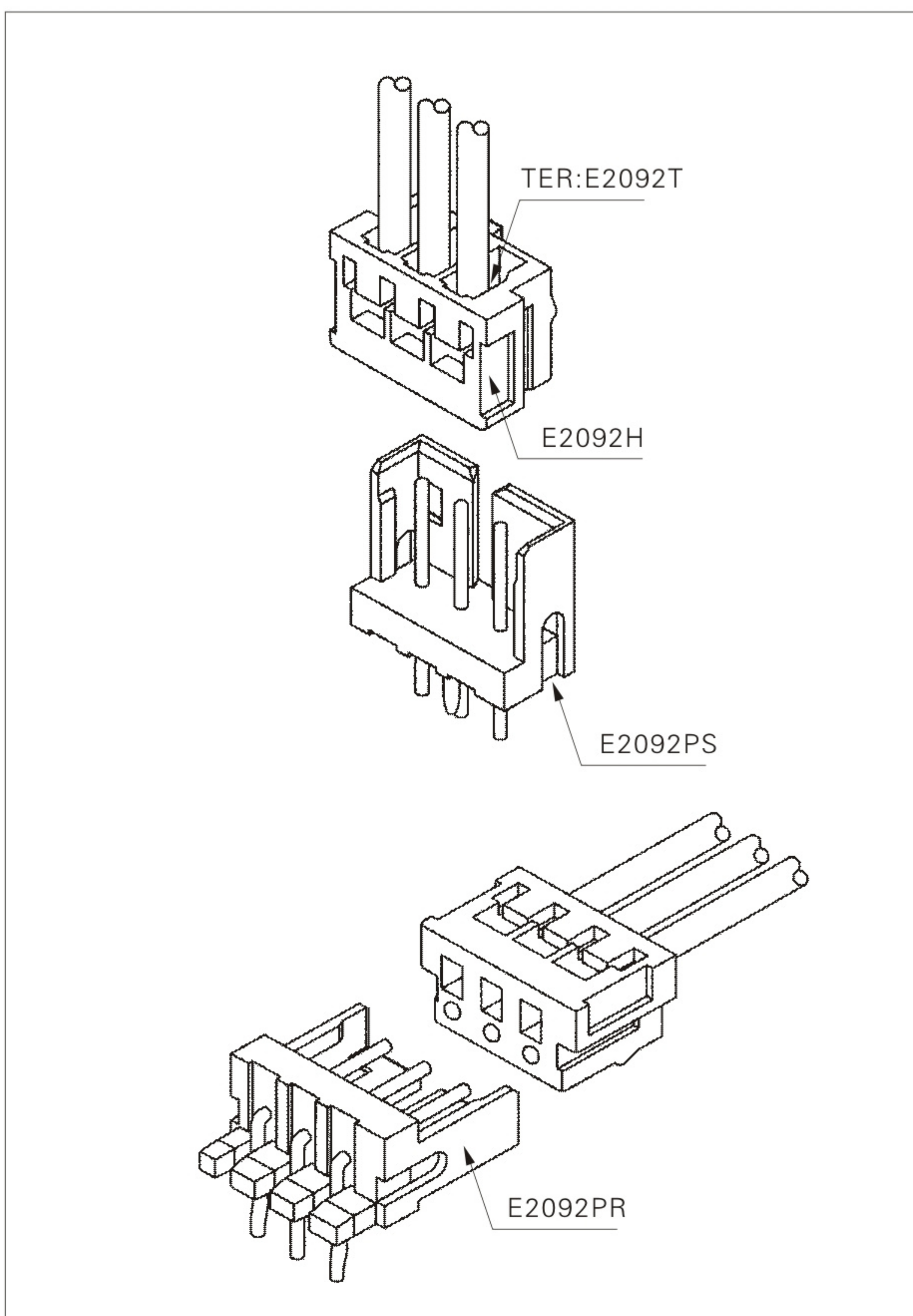
Contact Resistance: 10mΩ Max.

Insulation Resistance: 1000MΩ Min.

Withstanding Voltage: 1000V AC/minute

Applicable wire: AWG#22-#26

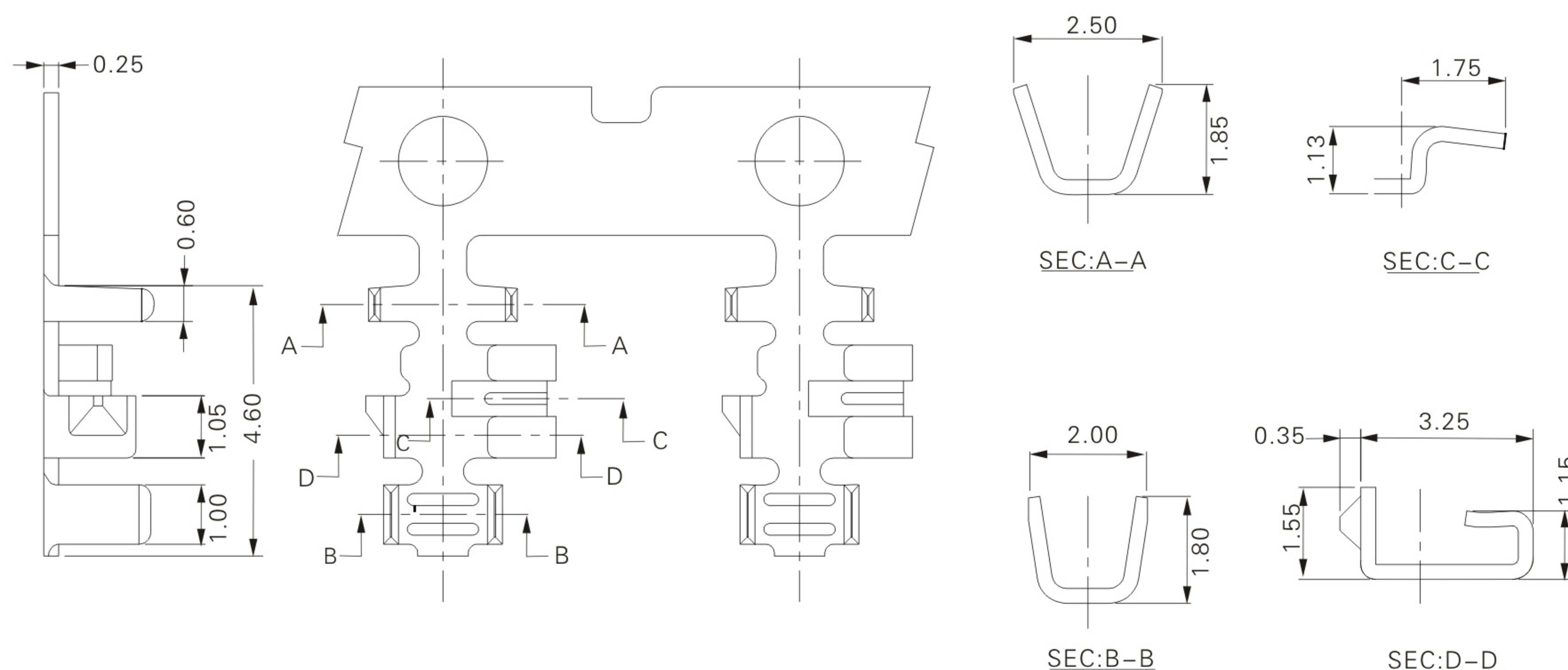
Assembly layout



E2092-T (2.00mm pitch crimp terminal)

Reference Informations:

*Used in E2092H series Housing



Ordering Information & Specifications

Unit: mm

Part No.	Wire Range	Insulation O.D.	Material	Finish	Qty/reel
E2092P	AWG#22-#26	1.50mm(max)	Phosphor Bronze	Tin-plated	10,000pcs

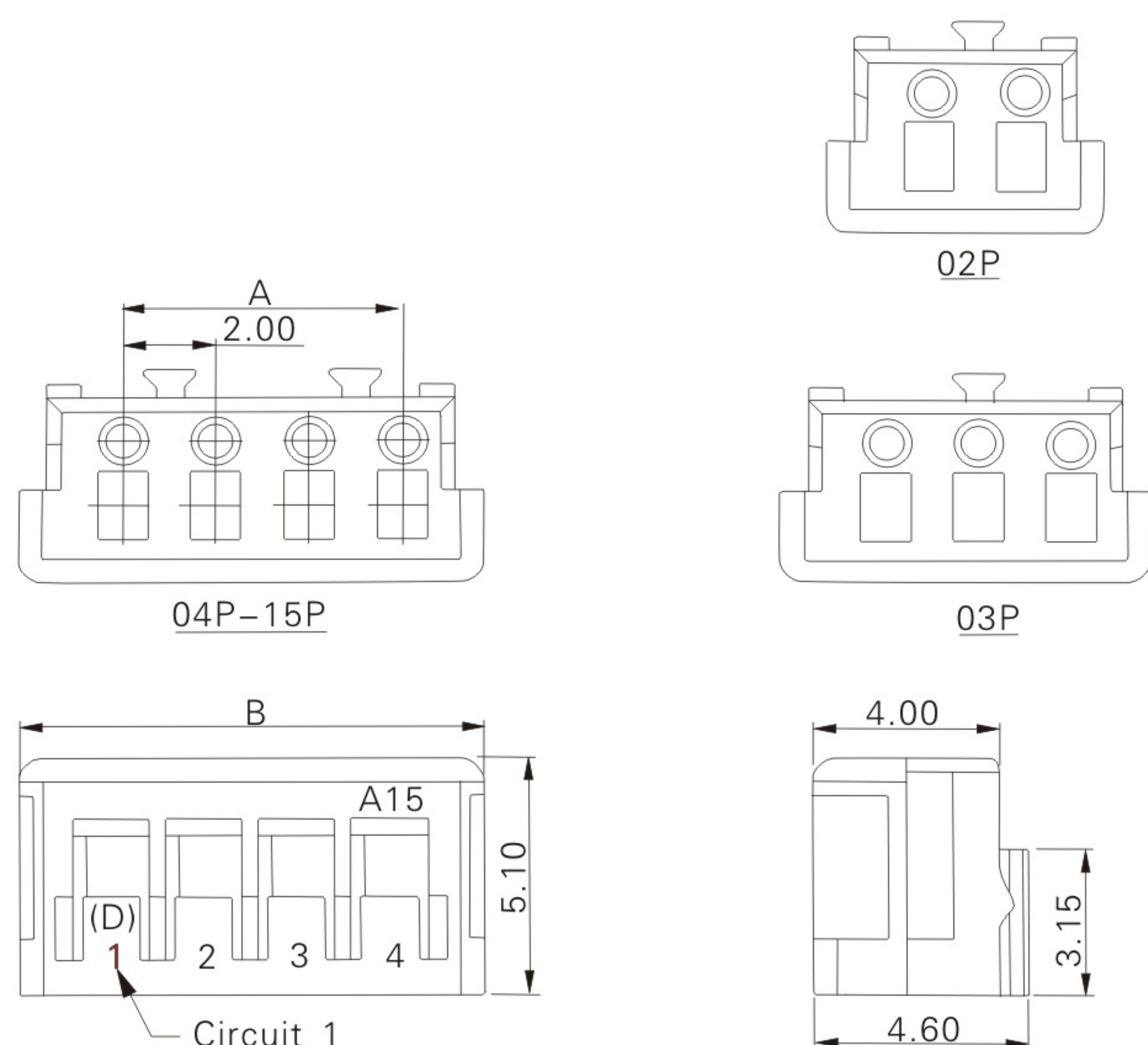
E2092H-NP (2.00mm pitch crimp housing)

Reference Informations:

*Material: Nylon66 UL94V-0

*Suitable E2092-T series Terminal

*Mates with E2092PS/PR series Wafer



Ordering Information & Dimensions

Circuits	Part No.	DIM.(mm)	
		A	B
02	E2092H-02P	2.00	6.00
03	E2092H-03P	4.00	8.00
04	E2092H-04P	6.00	10.00
05	E2092H-05P	8.00	12.00
06	E2092H-06P	10.00	14.00
07	E2092H-07P	12.00	16.00
08	E2092H-08P	14.00	18.00
09	E2092H-09P	16.00	20.00
10	E2092H-10P	18.00	22.00
11	E2092H-11P	20.00	24.00
12	E2092H-12P	22.00	26.00
13	E2092H-13P	24.00	28.00
14	E2092H-14P	26.00	30.00
15	E2092H-15P	28.00	32.00

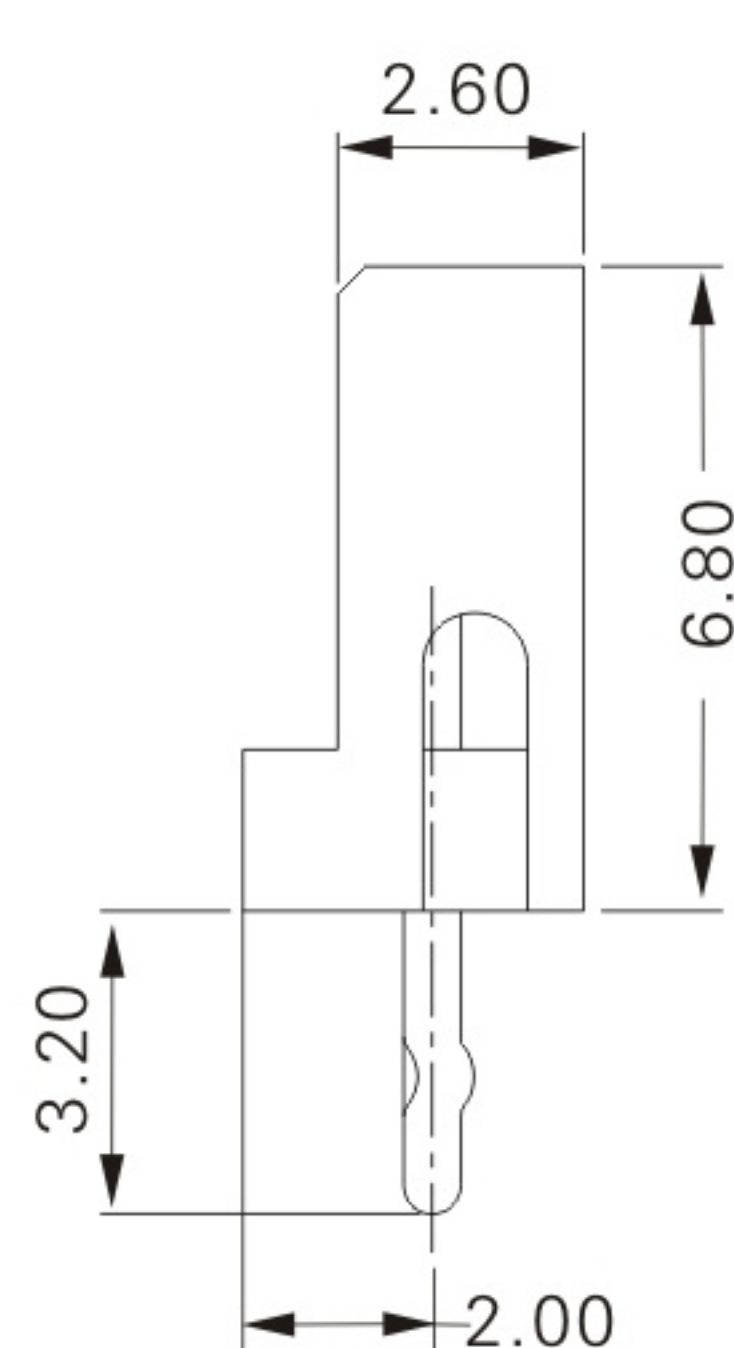
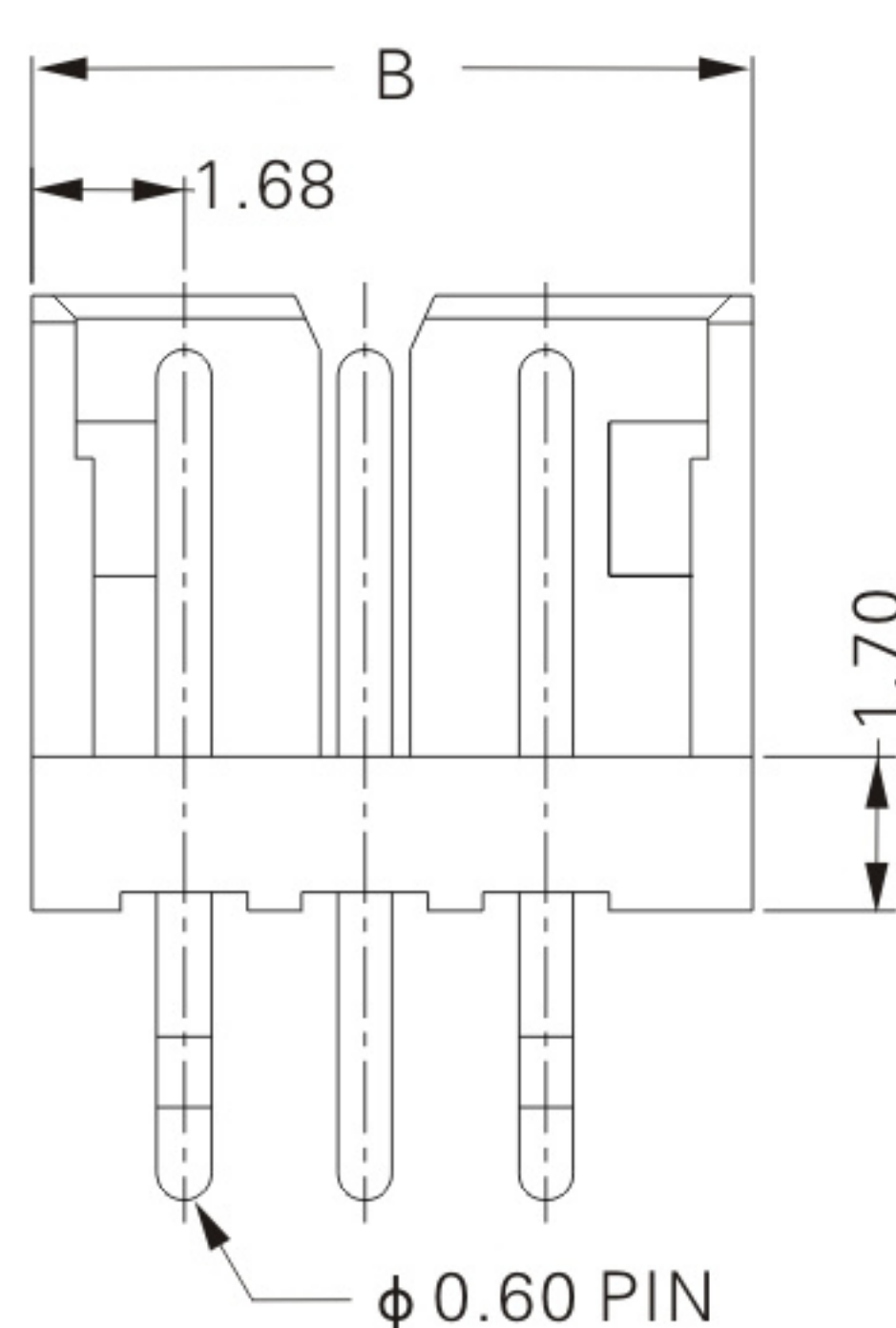
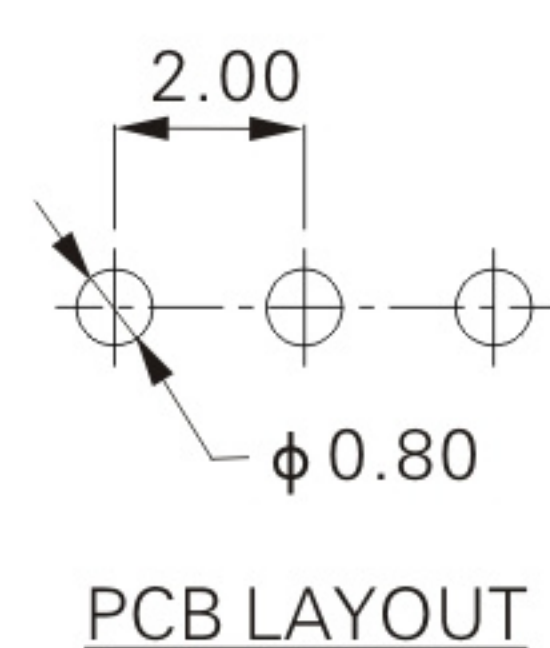
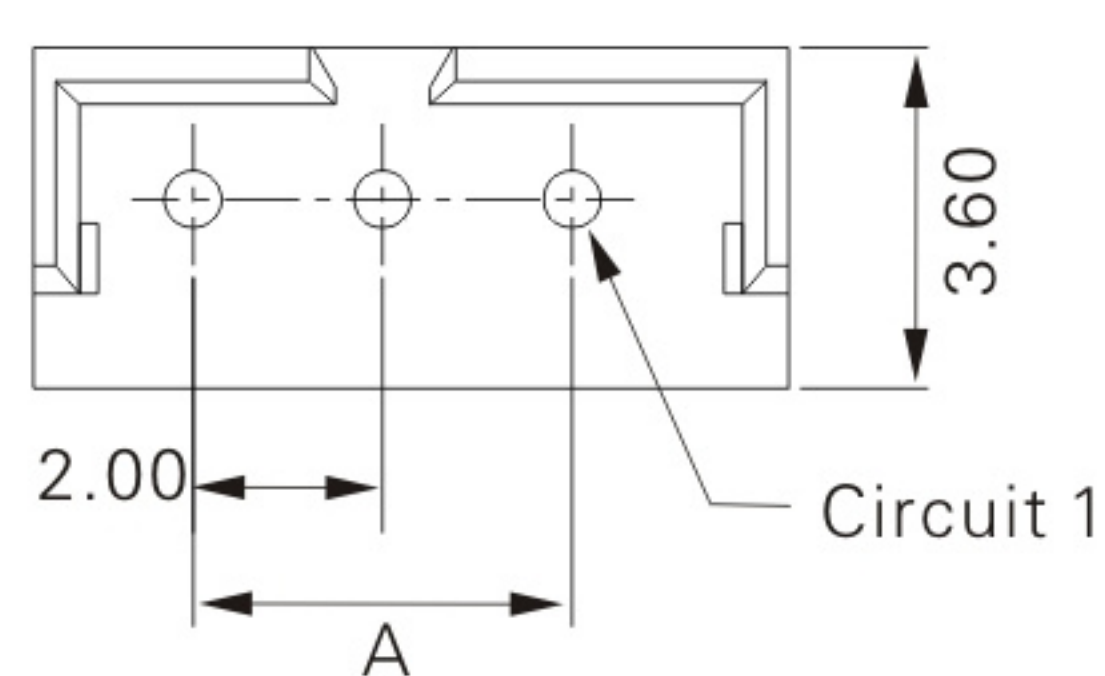
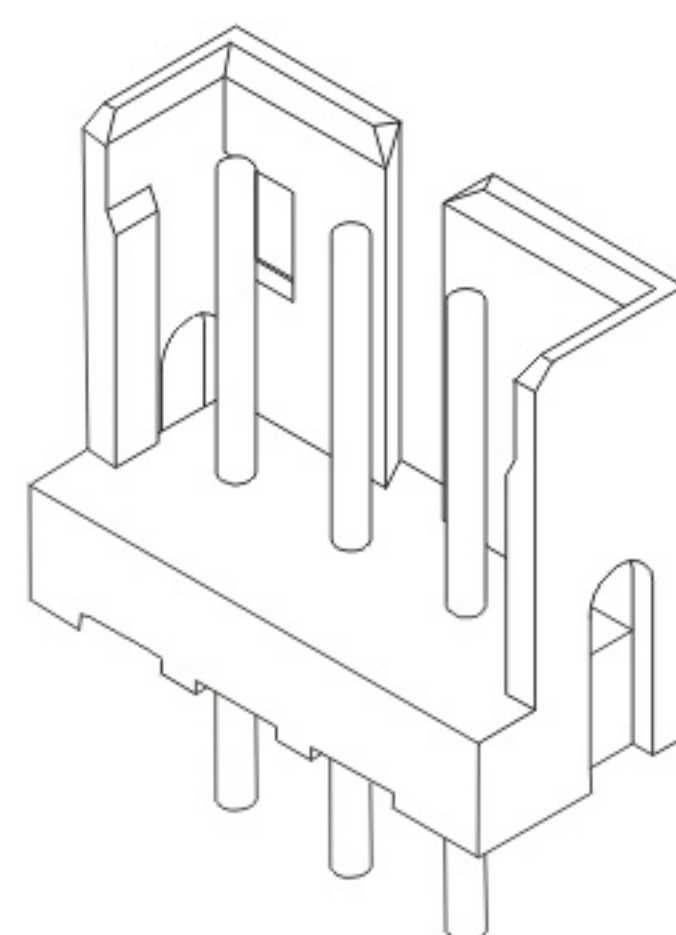
E2092PS-NP (2.00mm pitch 180° wafer)

Reference Informations:

*Material:Pin:Brass/Tin-plated

Wafer:Nylon 66,UL94V-0

*Mates with E2092H series Housing



Ordering Information & Dimensions

Circuits	Part No.	DIM.(mm)	
		A	B
02	E2092PS-02P	2.00	5.96
03	E2092PS-03P	4.00	7.96
04	E2092PS-04P	6.00	9.96
05	E2092PS-05P	8.00	11.96
06	E2092PS-06P	10.00	13.96
07	E2092PS-07P	12.00	15.96
08	E2092PS-08P	14.00	17.96
09	E2092PS-09P	16.00	19.96
10	E2092PS-10P	18.00	21.96
11	E2092PS-11P	20.00	23.96
12	E2092PS-12P	22.00	25.96
13	E2092PS-13P	24.00	27.96
14	E2092PS-14P	26.00	29.96
15	E2092PS-15P	28.00	31.96

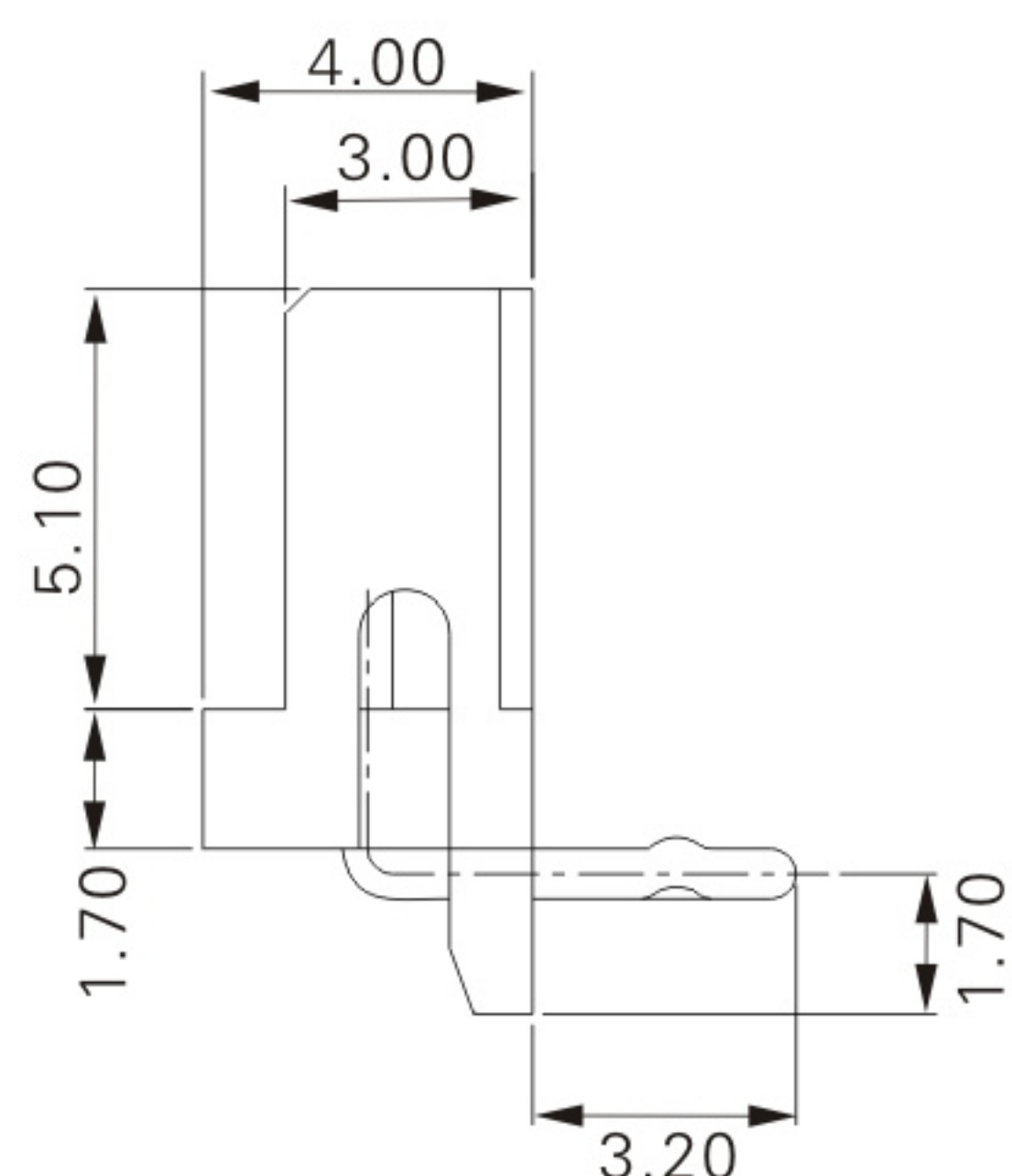
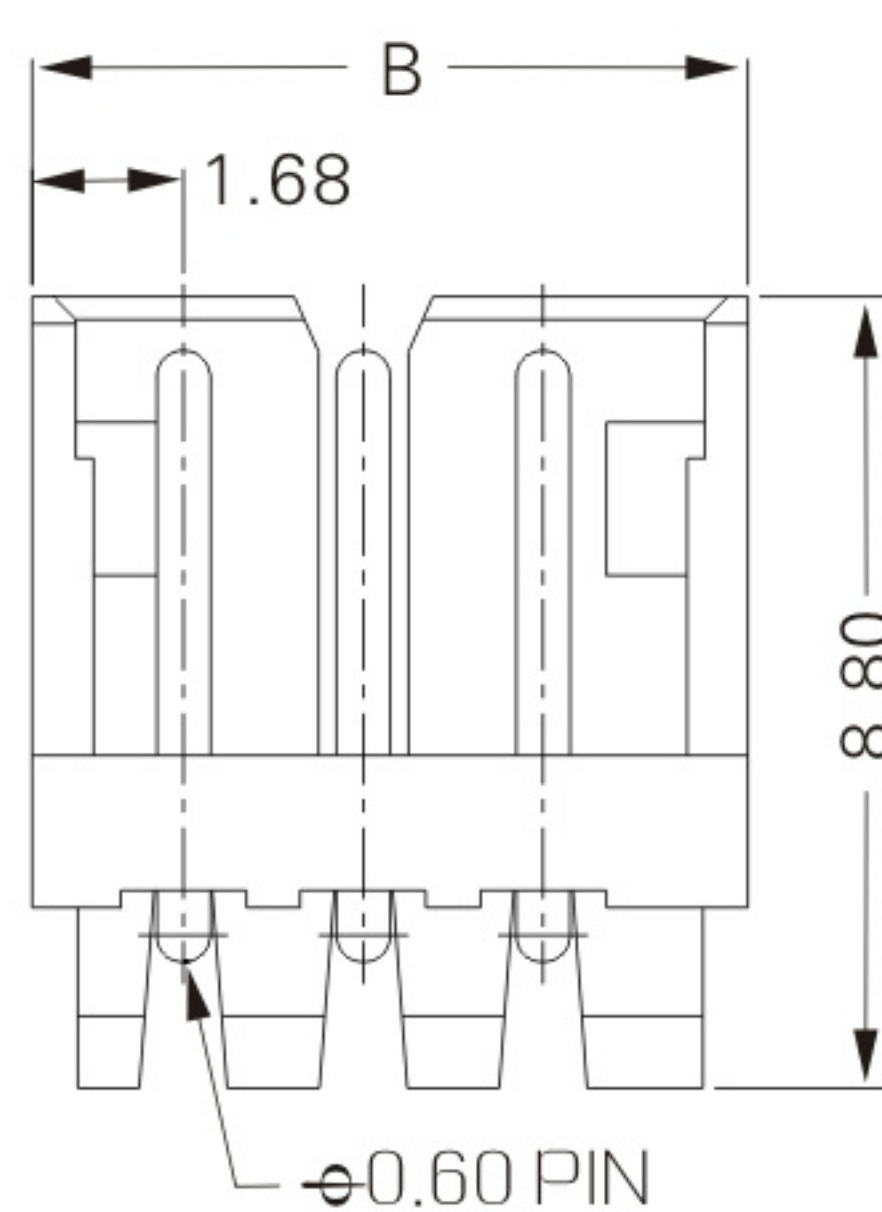
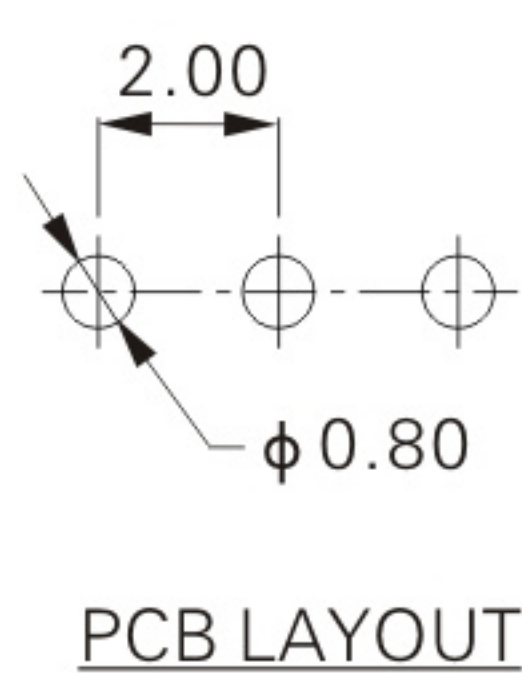
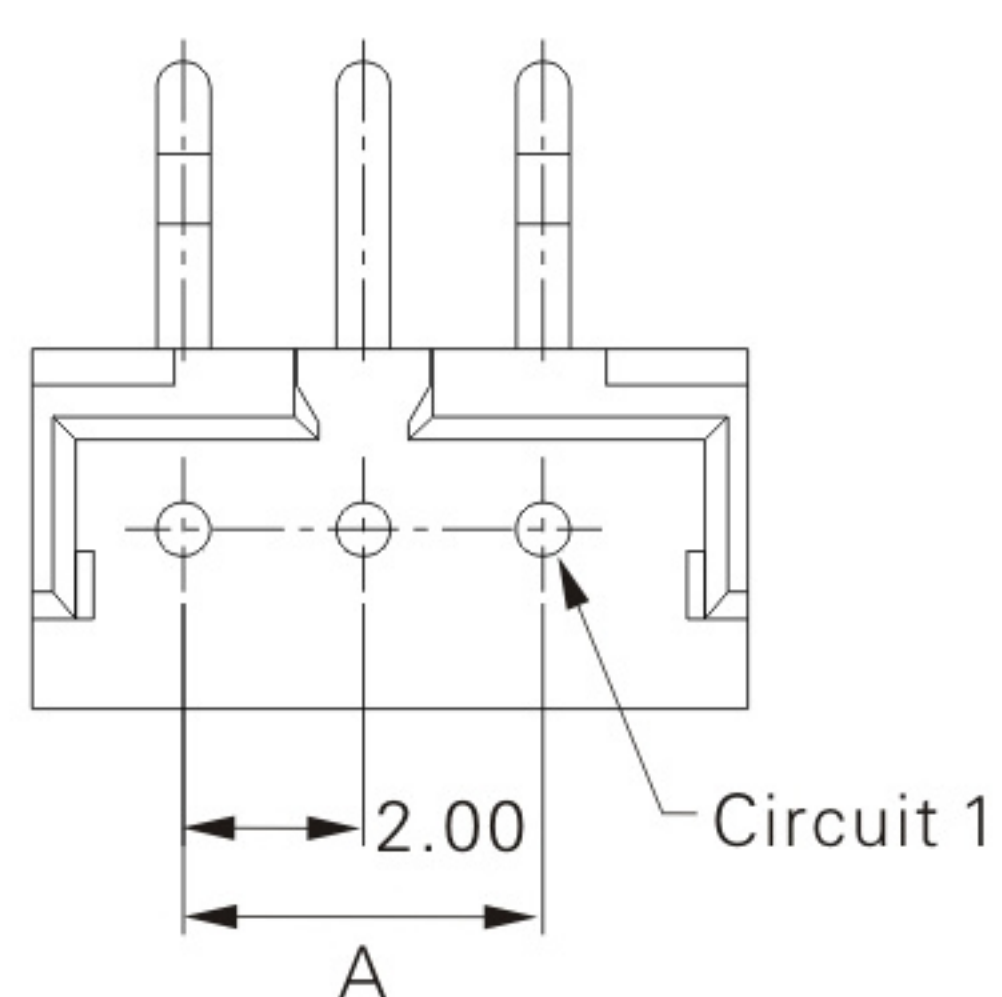
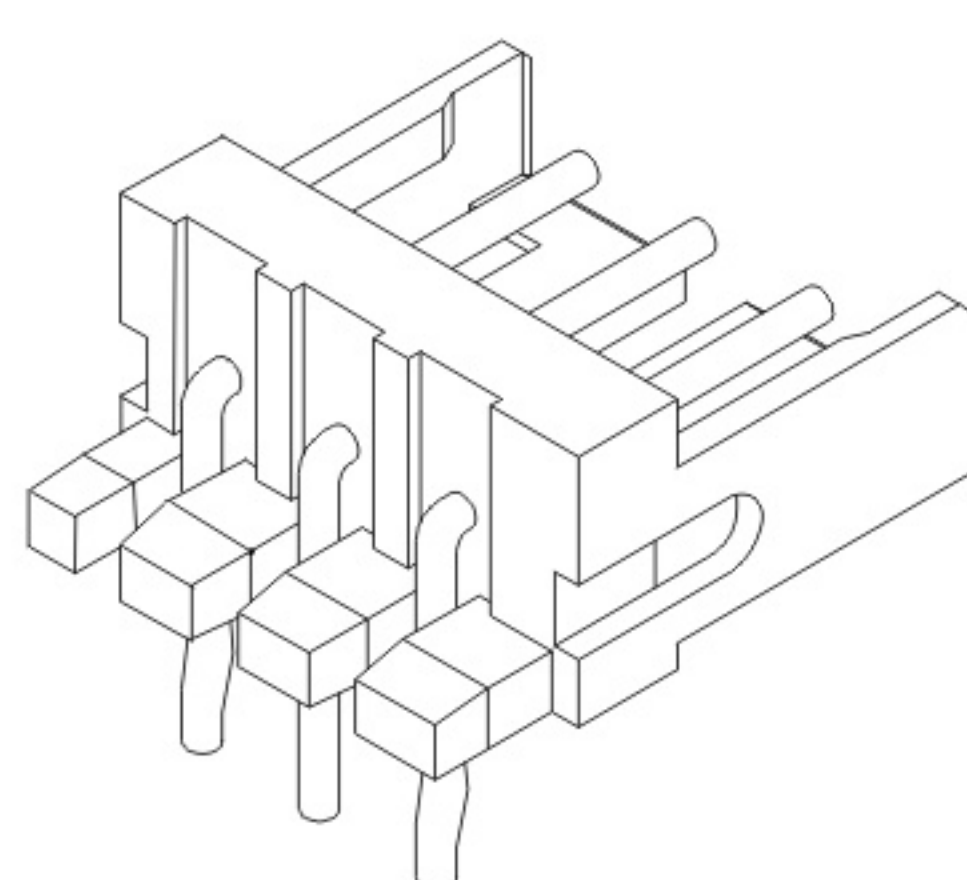
E2092PR-NP (2.00mm pitch 90° wafer)

Reference Informations:

*Material:Pin:Brass/Tin-plated

Wafer:Nylon 66,UL94V-0

*Mates with E2092H series Housing



Ordering Information & Dimensions

Circuits	Part No.	DIM.(mm)	
		A	B
02	E2092PR-02P	2.00	5.96
03	E2092PR-03P	4.00	7.96
04	E2092PR-04P	6.00	9.96
05	E2092PR-05P	8.00	11.96
06	E2092PR-06P	10.00	13.96
07	E2092PR-07P	12.00	15.96
08	E2092PR-08P	14.00	17.96
09	E2092PR-09P	16.00	19.96
10	E2092PR-10P	18.00	21.96
11	E2092PR-11P	20.00	23.96
12	E2092PR-12P	22.00	25.96
13	E2092PR-13P	24.00	27.96
14	E2092PR-14P	26.00	29.96
15	E2092PR-15P	28.00	31.96