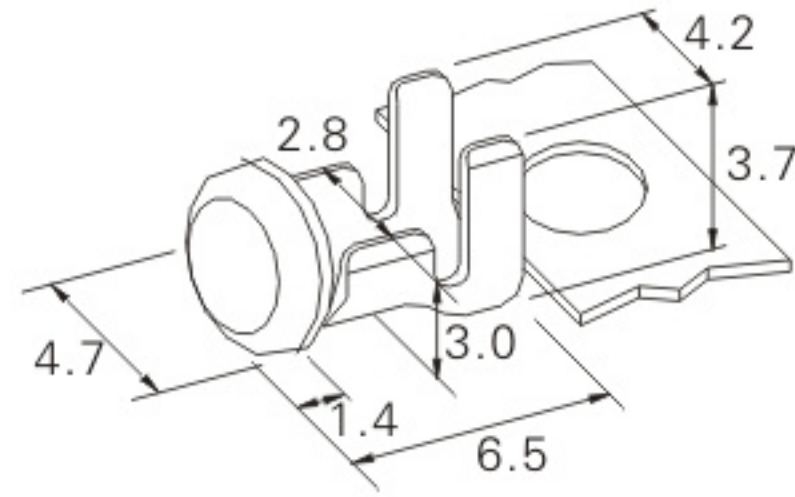


# FUSE(保險絲盒) SERIES

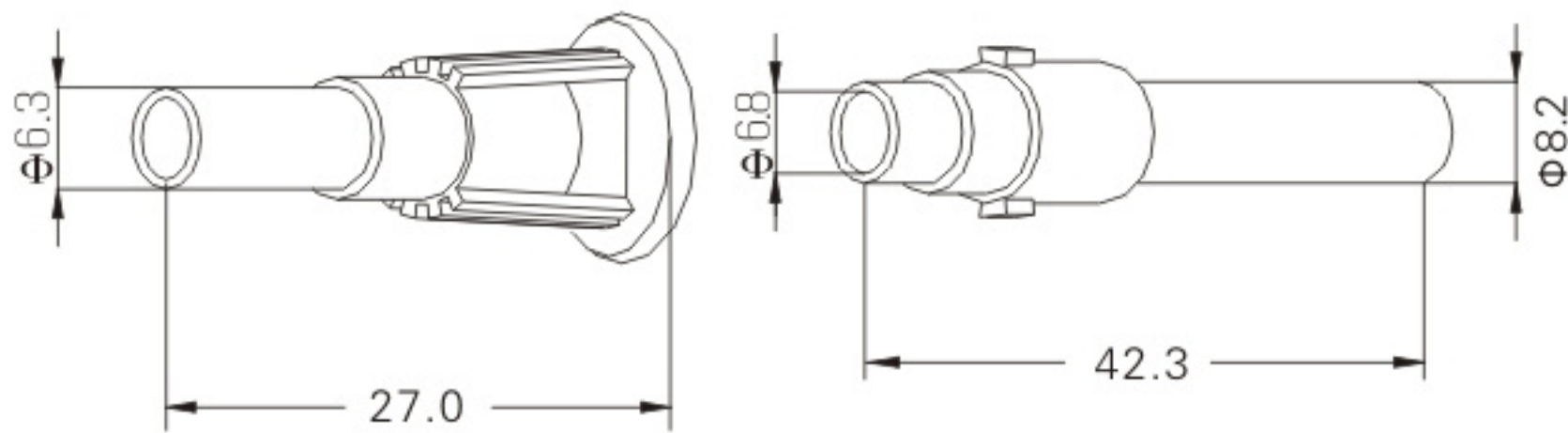
## E841



### Features:

- \*Mat'l: Brass
- \*Mates With: E841 Terminal
- \*Thickness: 0.4mm
- \*Hardness: H
- \*Insulation O.D.: 2.3Max
- \*Wire Range: AWG#16-22
- \*Rated Voltage: AC/250, DC/350V
- \*Rated Current: AC, DC, A
- \*Temperature Range: -25°C

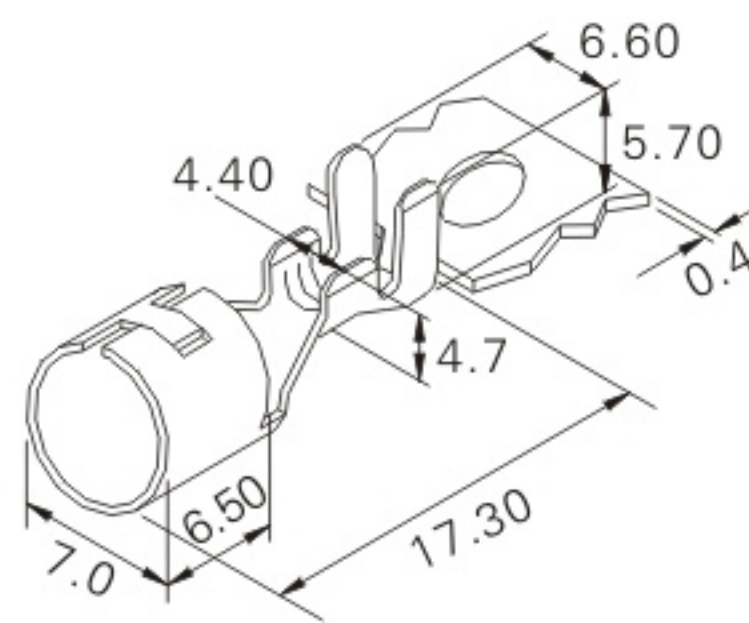
## E841H



### Features:

- \*Material: Nylon
- \*Mates : E841 Terminal
- \*Rated Voltage: AC/250, DC/350V
- \*Rated Current: 10A
- \*Temperature Range: -25°C TO +85°C

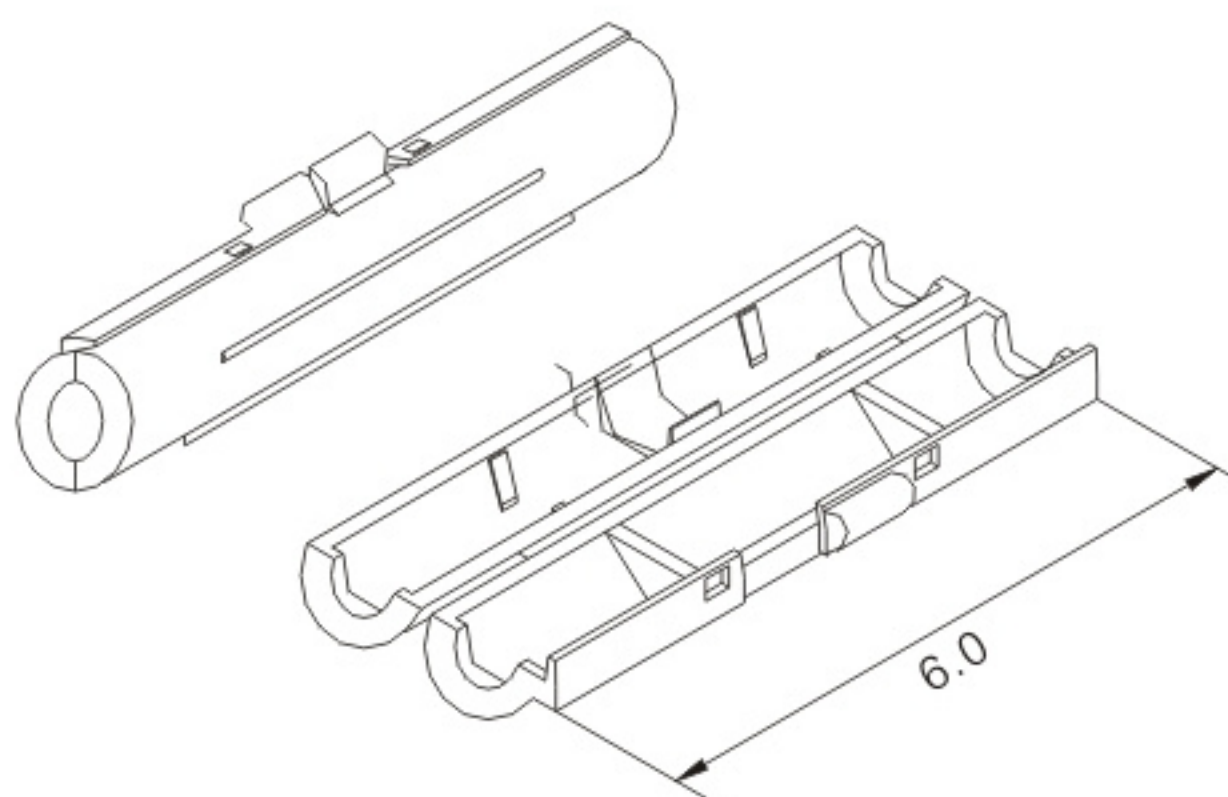
## E861



### Features:

- \*Mat'l: Brass
- \*Thickness: 0.4mm
- \*Hardness: H/2
- \*Wire range: AWG#14-18

## E861H

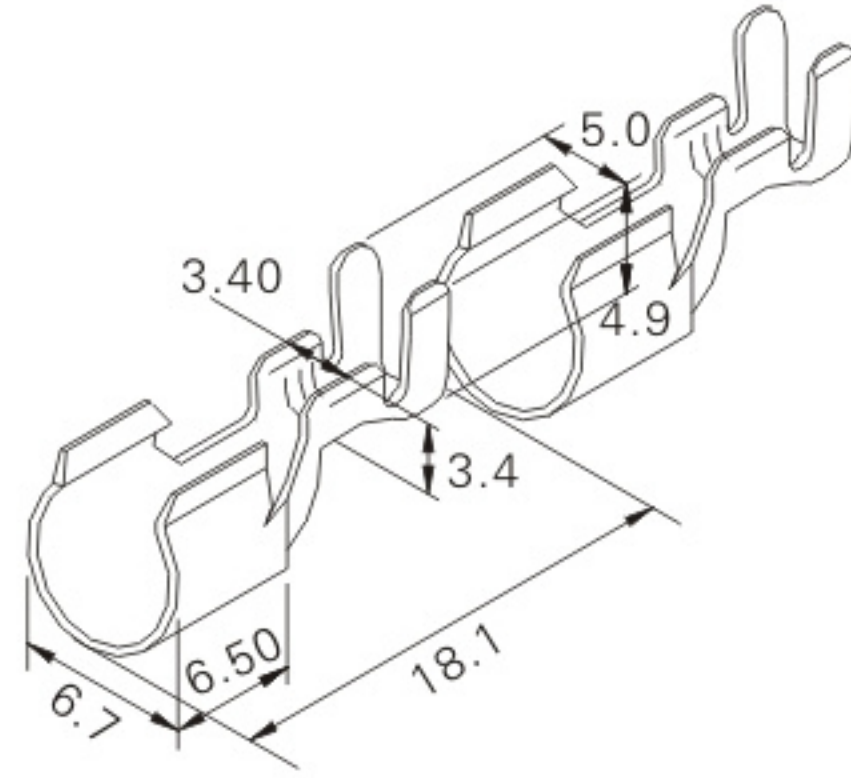


### Features:

- \*Material: Nylon
- \*Mates With: E851 Series Terminal
- \*Rating Voltage: AC/250, DC/350V
- \*Rating Current: 10A
- \*Temperature Range: -25° TO +85°C

# FUSE(保險絲盒) SERIES

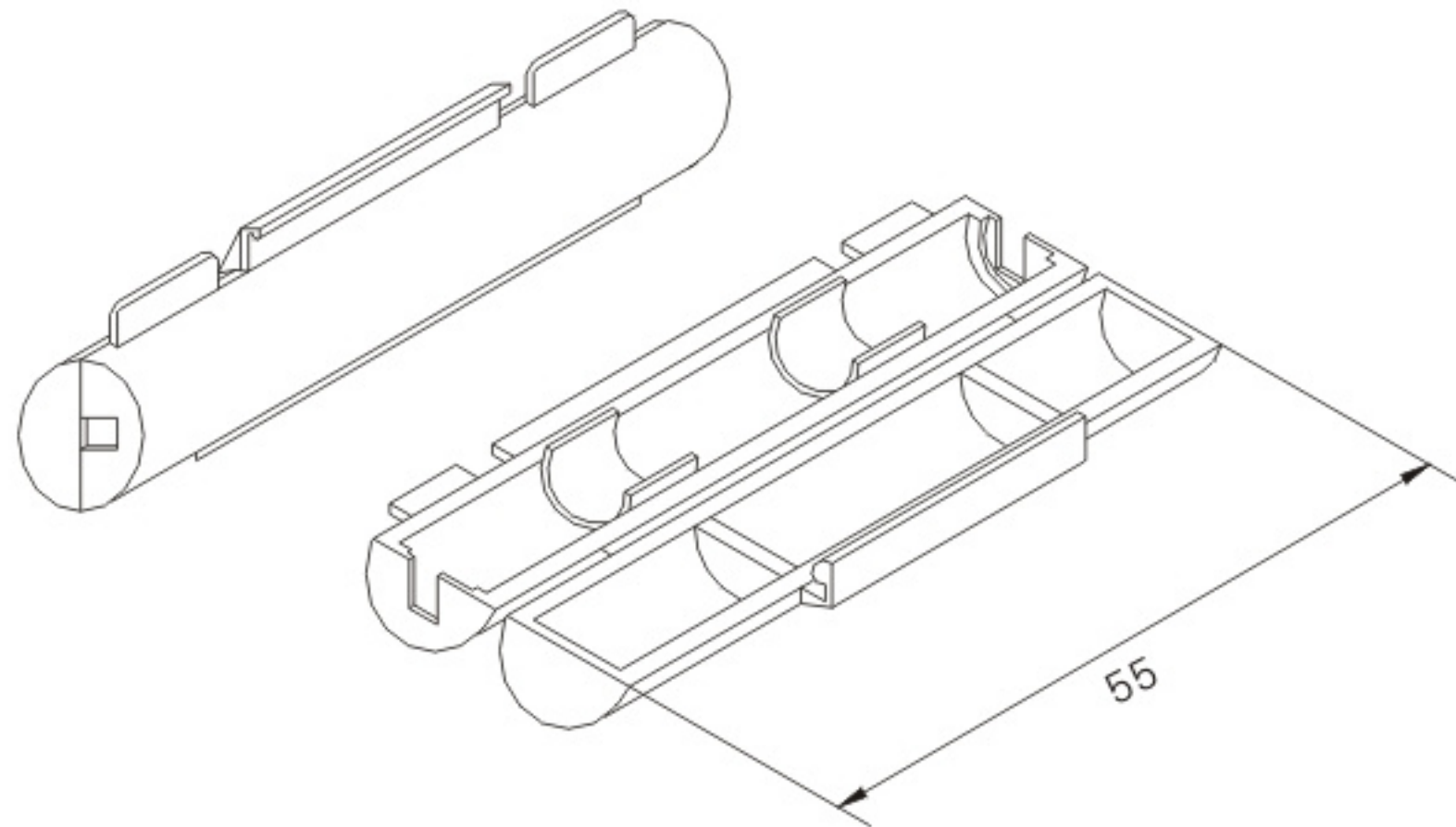
## E851



### Features:

- \*Mat'l: Brass
- \*Thickness: 0.3mm
- \*Hardness: H/2
- \*Wire range: AWG#22-24

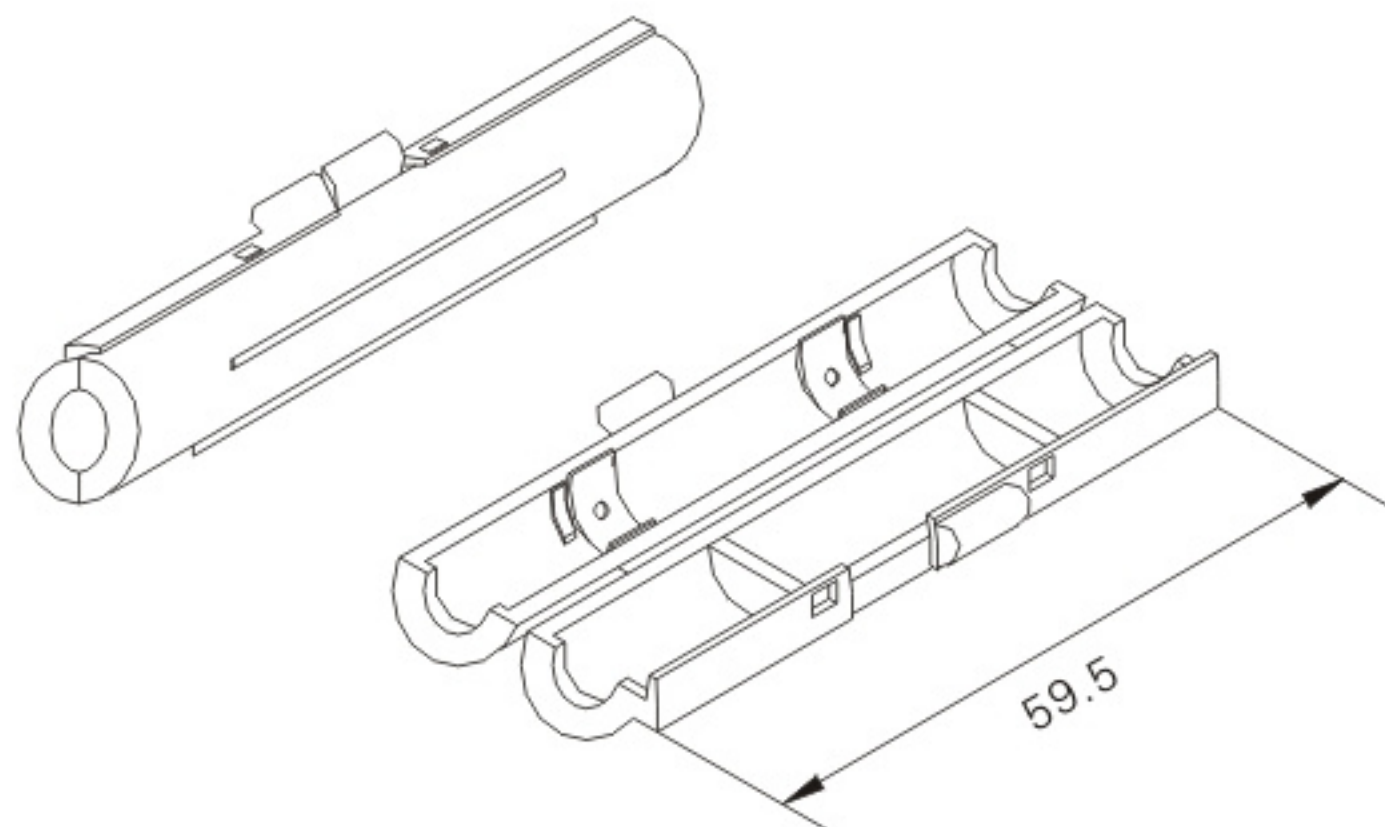
## E851H



### Features:

- \*Material: Nylon
- \*Mates With: E851 Series Terminal
- \*Rating Voltage: AC/250, DC/350V
- \*Rating Current: 10A
- \*Temperature Range: -25° TO +85°C

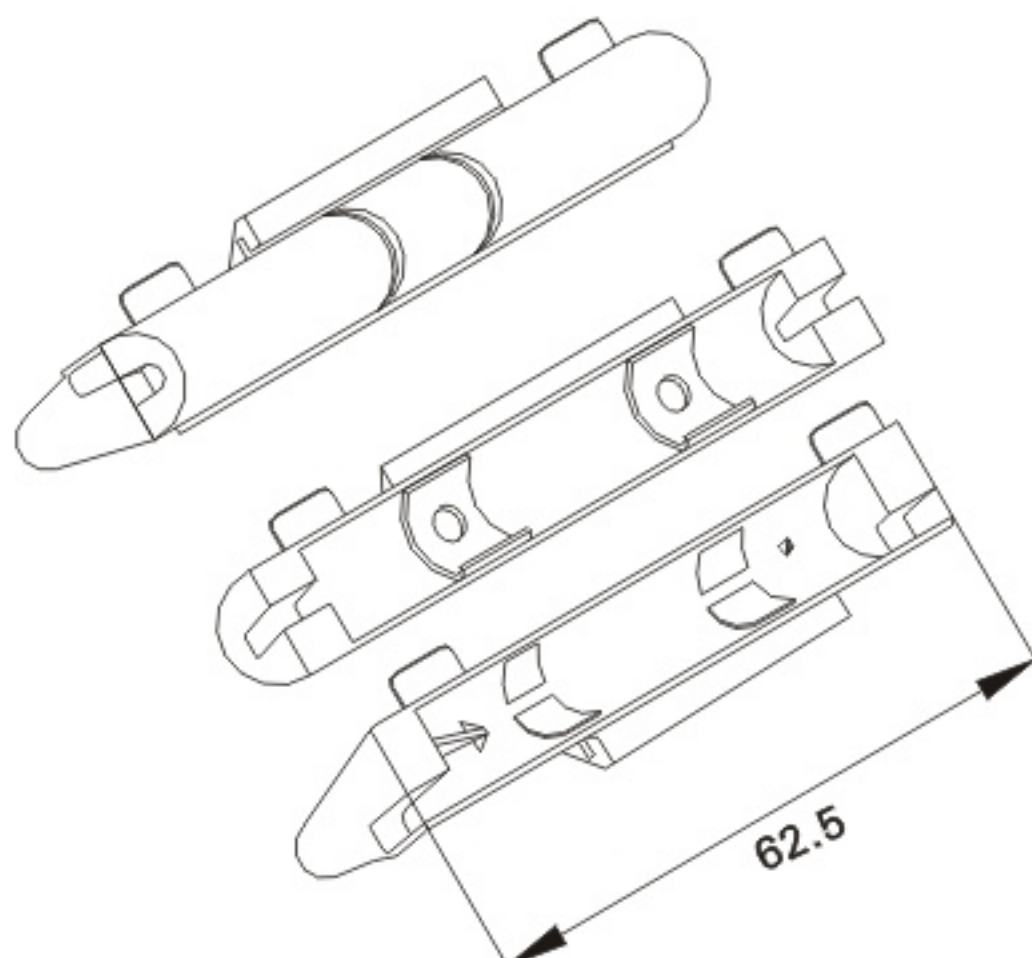
## E851-K



### Features:

- \*Material: Nylon
- \*Mates With: E851 Series Terminal
- \*Rating Voltage: AC/250, DC/350V
- \*Rating Current: 10A
- \*Temperature Range: -25° TO +85°C

## E851H-A



### Features:

- \*Material: Nylon
- \*Mates With: E851 Series Terminal
- \*Rating Voltage: AC/250, DC/350V
- \*Rating Current: 10A
- \*Temperature Range: -25° TO +85°C