

### Specifications

Current Rating: 1A AC,DC

Voltage Rating: 250V AC,DC

Temperature Range: -25°C~+85°C

Contact Resistance: 20mΩ Max.

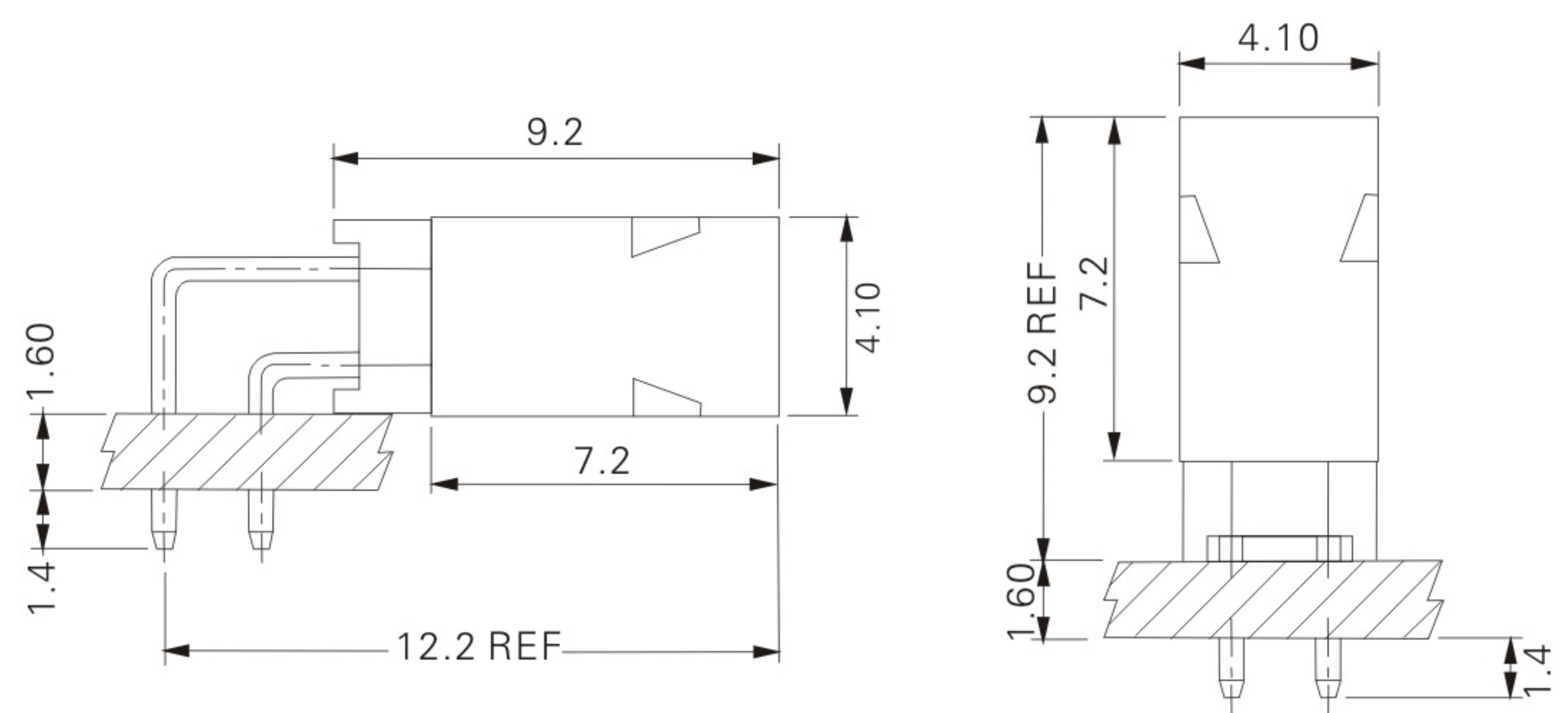
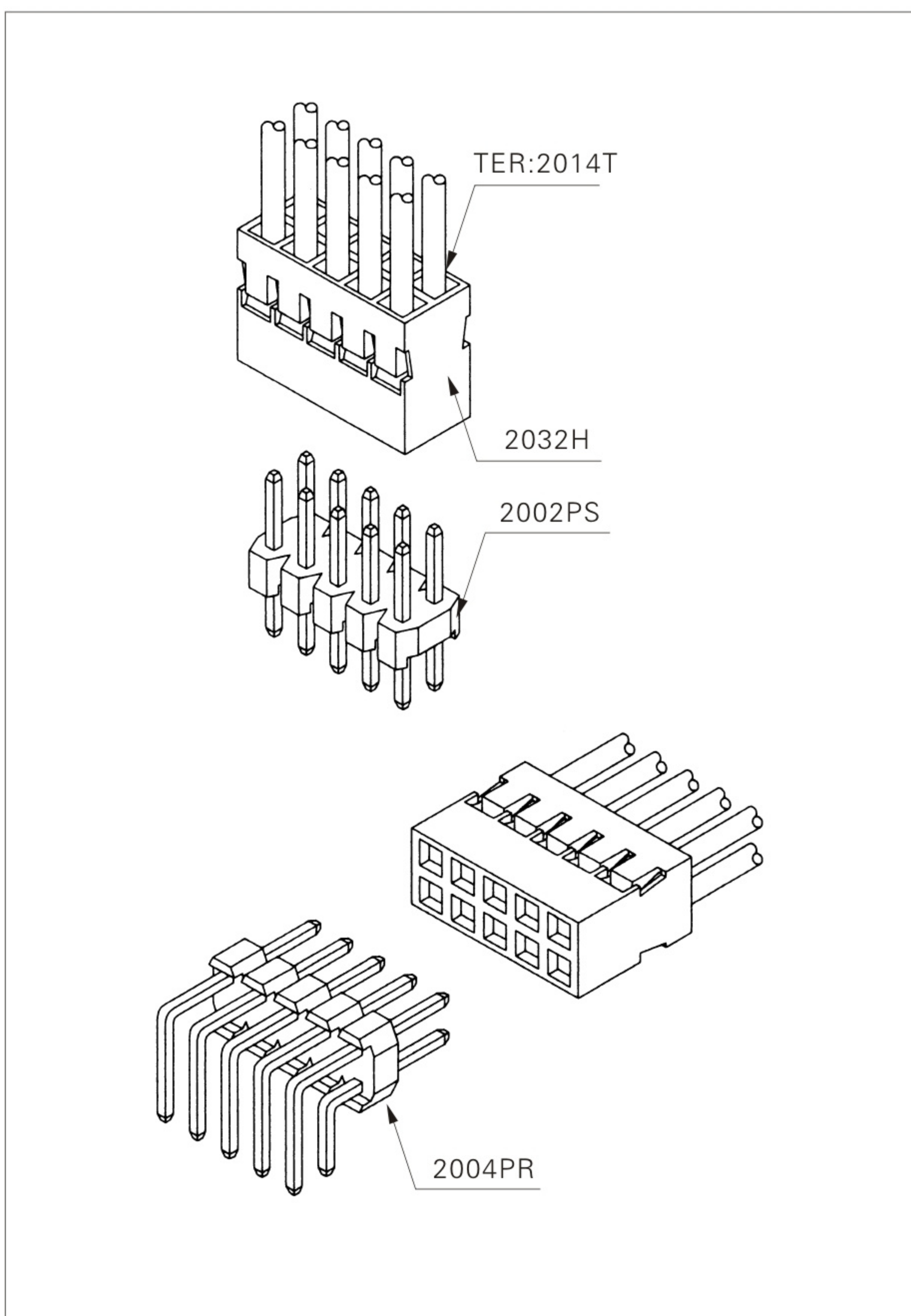
Insulation Resistance: 1000MΩ Min.

Withstanding Voltage: 1000V AC/minute

---

---

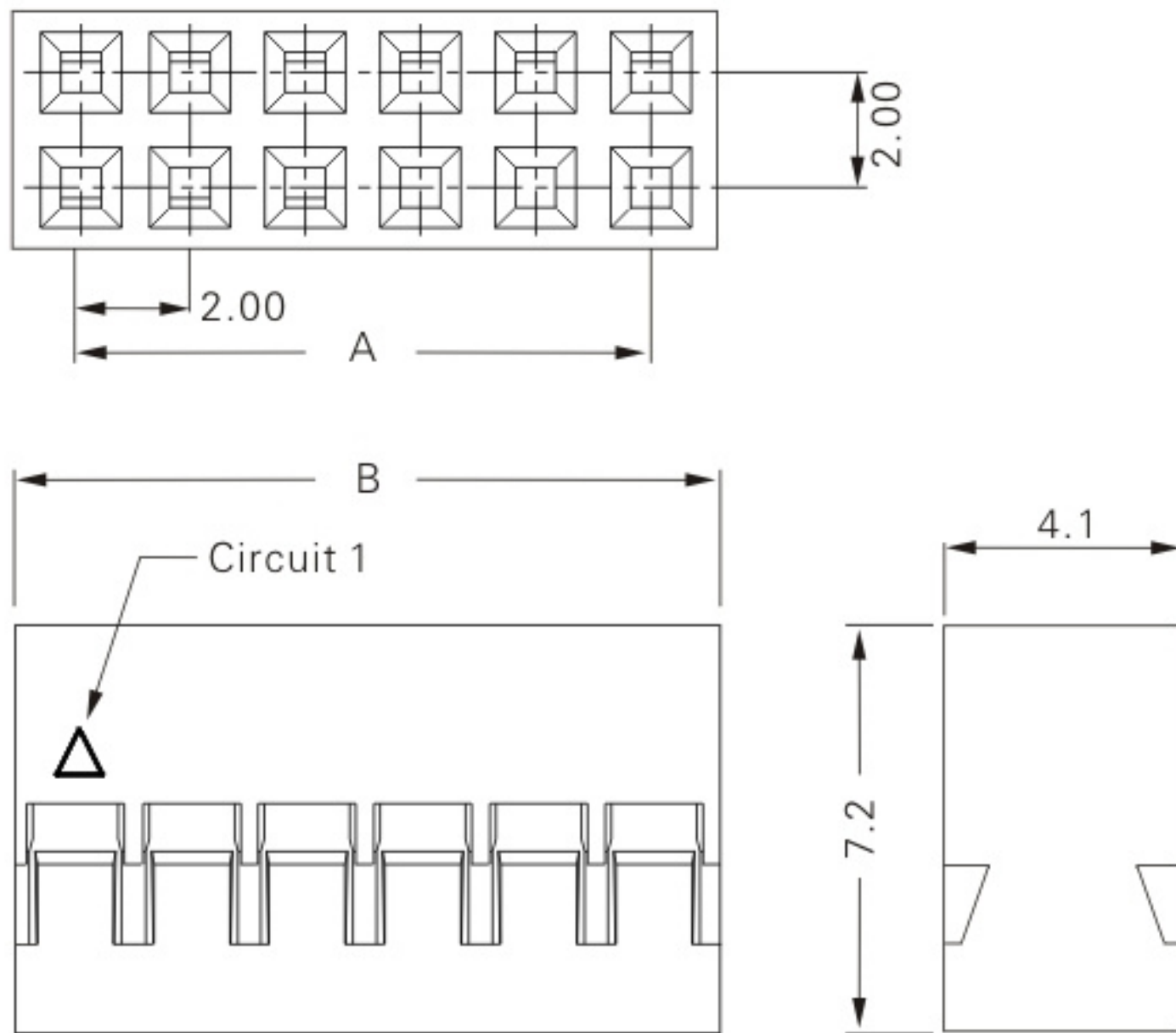
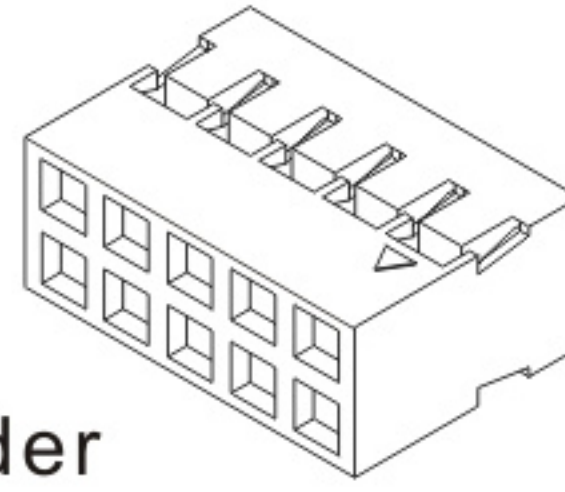
### Assembly layout



# 2032H-2XNP (2.00mm pitch dual row housing)

## Reference Informations:

- \*Material: PBT, UL 94V-0(Standard)  
Nylon 66 UL94V-0
- \*Suitable 2014-T series Terminal
- \*Mates with 2002/2004 series dual row Pin Header



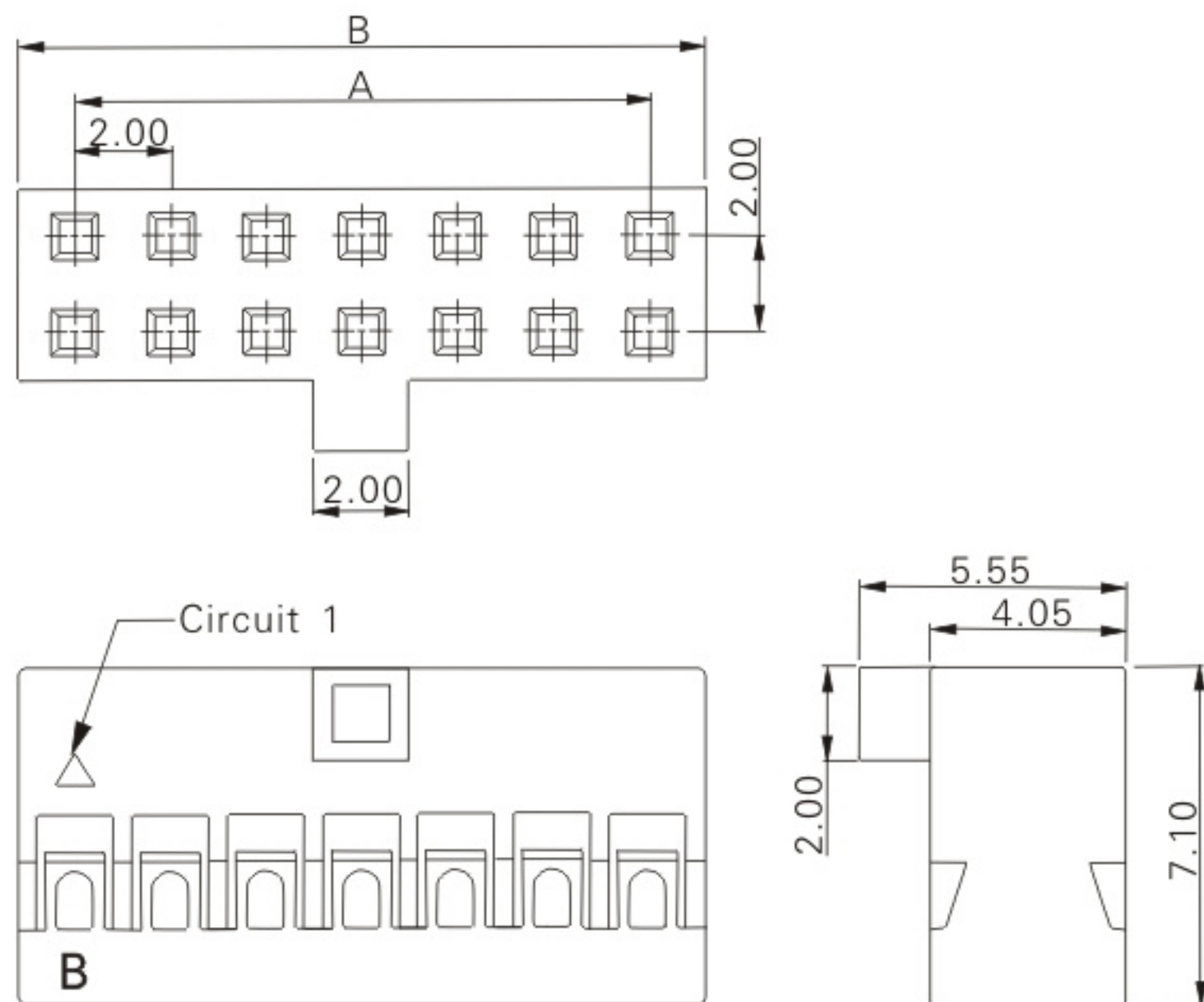
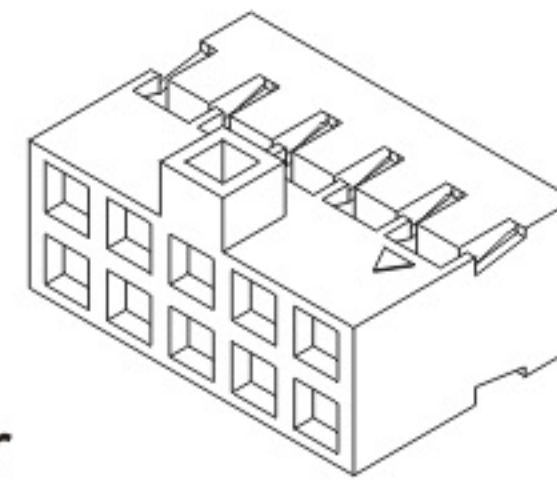
## Ordering Information & D imensions

Circuits	Part No.	DIM.(mm)		Circuits	Part No.	DIM.(mm)	
		A	B			A	B
04	2032H-2X02P	2.00	4.40	44	2032H-2X22P	42.00	44.40
06	2032H-2X03P	4.00	6.40	46	2032H-2X23P	44.00	46.40
08	2032H-2X04P	6.00	8.40	48	2032H-2X24P	46.00	48.40
10	2032H-2X05P	8.00	10.40	50	2032H-2X25P	48.00	50.40
12	2032H-2X06P	10.00	12.40	52	2032H-2X26P	50.00	52.40
14	2032H-2X07P	12.00	14.40	54	2032H-2X27P	52.00	54.40
16	2032H-2X08P	14.00	16.40	56	2032H-2X28P	54.00	56.40
18	2032H-2X09P	16.00	18.40	58	2032H-2X29P	56.00	58.40
20	2032H-2X10P	18.00	20.40	60	2032H-2X30P	58.00	60.40
22	2032H-2X11P	20.00	22.40	62	2032H-2X31P	60.00	62.40
24	2032H-2X12P	22.00	24.40	64	2032H-2X32P	62.00	64.40
26	2032H-2X13P	24.00	26.40	66	2032H-2X33P	64.00	66.40
28	2032H-2X14P	26.00	28.40	68	2032H-2X34P	66.00	68.40
30	2032H-2X15P	28.00	30.40	70	2032H-2X35P	68.00	70.40
32	2032H-2X16P	30.00	32.40	72	2032H-2X36P	70.00	72.40
34	2032H-2X17P	32.00	34.40	74	2032H-2X37P	72.00	74.40
36	2032H-2X18P	34.00	36.40	76	2032H-2X38P	74.00	76.40
38	2032H-2X19P	36.00	38.40	78	2032H-2X39P	76.00	78.40
40	2032H-2X20P	38.00	40.40	80	2032H-2X40P	78.00	80.40
42	2032H-2X21P	40.00	42.40				

# 2032H-2XNP-凸 (2.00mm pitch dual row housing)

## Reference Informations:

- \*Material: PBT, UL 94V-0(Standard)  
Nylon 66 UL94V-0
- \*Suitable 2014-T series Terminal
- \*Mates with 2002/2004 series dual row Pin Header



## Ordering Information & Dimensions

Circuits	Part No.	DIM.(mm)		Circuits	Part No.	DIM.(mm)	
		A	B			A	B
04	2032H-2X02P-凸	2.00	4.40	44	2032H-2X22P-凸	42.00	44.40
06	2032H-2X03P-凸	4.00	6.40	46	2032H-2X23P-凸	44.00	46.40
08	2032H-2X04P-凸	6.00	8.40	48	2032H-2X24P-凸	46.00	48.40
10	2032H-2X05P-凸	8.00	10.40	50	2032H-2X25P-凸	48.00	50.40
12	2032H-2X06P-凸	10.00	12.40	52	2032H-2X26P-凸	50.00	52.40
14	2032H-2X07P-凸	12.00	14.40	54	2032H-2X27P-凸	52.00	54.40
16	2032H-2X08P-凸	14.00	16.40	56	2032H-2X28P-凸	54.00	56.40
18	2032H-2X09P-凸	16.00	18.40	58	2032H-2X29P-凸	56.00	58.40
20	2032H-2X10P-凸	18.00	20.40	60	2032H-2X30P-凸	58.00	60.40
22	2032H-2X11P-凸	20.00	22.40	62	2032H-2X31P-凸	60.00	62.40
24	2032H-2X12P-凸	22.00	24.40	64	2032H-2X32P-凸	62.00	64.40
26	2032H-2X13P-凸	24.00	26.40	66	2032H-2X33P-凸	64.00	66.40
28	2032H-2X14P-凸	26.00	28.40	68	2032H-2X34P-凸	66.00	68.40
30	2032H-2X15P-凸	28.00	30.40	70	2032H-2X35P-凸	68.00	70.40
32	2032H-2X16P-凸	30.00	32.40	72	2032H-2X36P-凸	70.00	72.40
34	2032H-2X17P-凸	32.00	34.40	74	2032H-2X37P-凸	72.00	74.40
36	2032H-2X18P-凸	34.00	36.40	76	2032H-2X38P-凸	74.00	76.40
38	2032H-2X19P-凸	36.00	38.40	78	2032H-2X39P-凸	76.00	78.40
40	2032H-2X20P-凸	38.00	40.40	80	2032H-2X40P-凸	78.00	80.40
42	2032H-2X21P-凸	40.00	42.40				

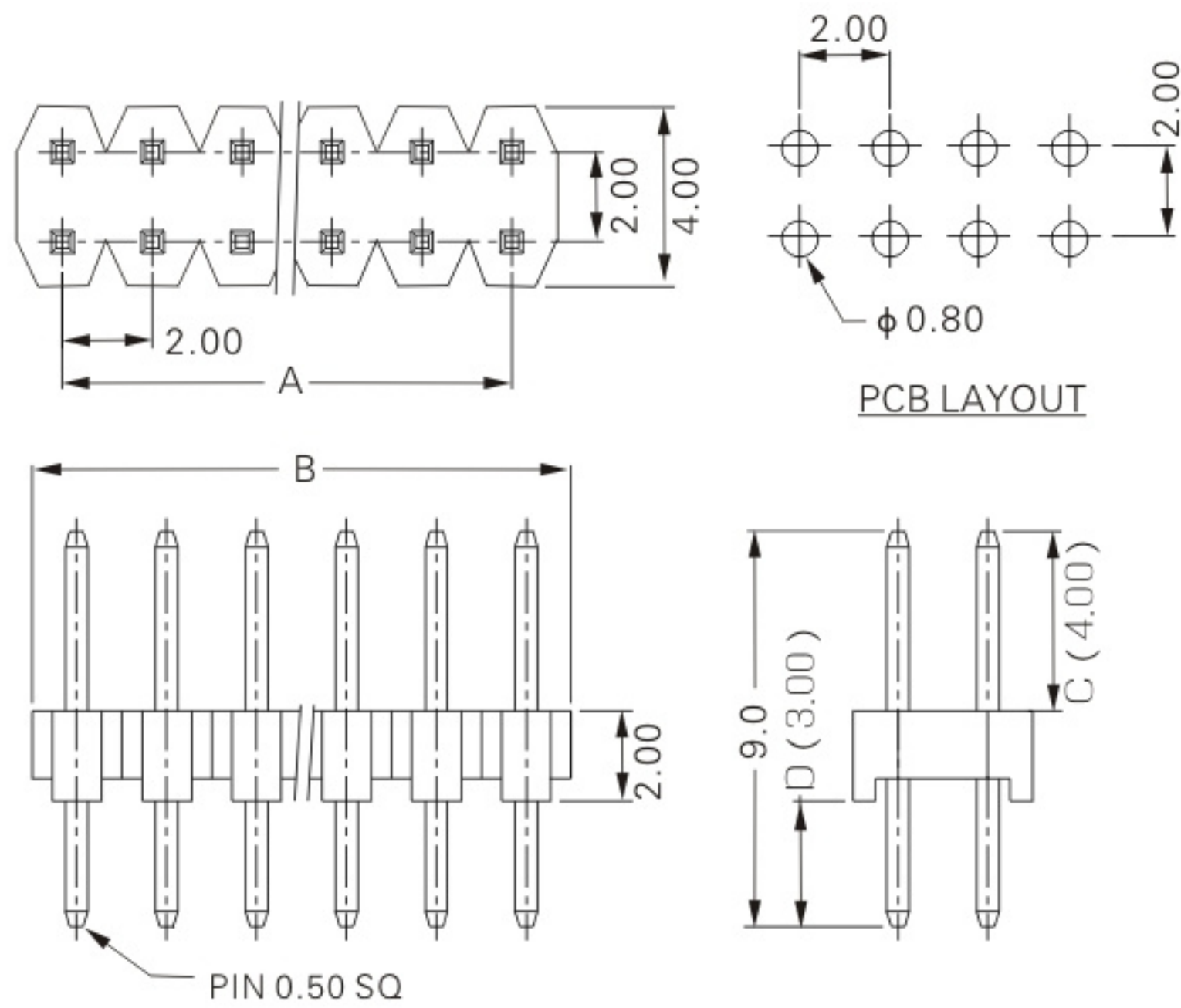
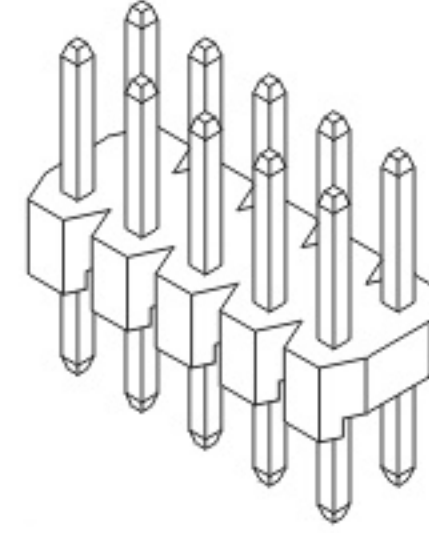
# 2002PS-2XNP (2.00mm pitch 180° dual row pin header)

## Reference Informations:

\*Material:Pin:Brass/Gold-flash

Wafer: PBT, UL 94V-0

\*Mates with 2032H series single row Housing



## Ordering Information & Dimensions

Circuits	Part No.	DIM.(mm)		Circuits	Part No.	DIM.(mm)	
		A	B			A	B
04	2002PS-2X02P	2.00	4.00	44	2002PS-2X22P	42.00	44.00
06	2002PS-2X03P	4.00	6.00	46	2002PS-2X23P	44.00	46.00
08	2002PS-2X04P	6.00	8.00	48	2002PS-2X24P	46.00	48.00
10	2002PS-2X05P	8.00	10.00	50	2002PS-2X25P	48.00	50.00
12	2002PS-2X06P	10.00	12.00	52	2002PS-2X26P	50.00	52.00
14	2002PS-2X07P	12.00	14.00	54	2002PS-2X27P	52.00	54.00
16	2002PS-2X08P	14.00	16.00	56	2002PS-2X28P	54.00	56.00
18	2002PS-2X09P	16.00	18.00	58	2002PS-2X29P	56.00	58.00
20	2002PS-2X10P	18.00	20.00	60	2002PS-2X30P	58.00	60.00
22	2002PS-2X11P	20.00	22.00	62	2002PS-2X31P	60.00	62.00
24	2002PS-2X12P	22.00	24.00	64	2002PS-2X32P	62.00	64.00
26	2002PS-2X13P	24.00	26.00	66	2002PS-2X33P	64.00	66.00
28	2002PS-2X14P	26.00	28.00	68	2002PS-2X34P	66.00	68.00
30	2002PS-2X15P	28.00	30.00	70	2002PS-2X35P	68.00	70.00
32	2002PS-2X16P	30.00	32.00	72	2002PS-2X36P	70.00	72.00
34	2002PS-2X17P	32.00	34.00	74	2002PS-2X37P	72.00	74.00
36	2002PS-2X18P	34.00	36.00	76	2002PS-2X38P	74.00	76.00
38	2002PS-2X19P	36.00	38.00	78	2002PS-2X39P	76.00	78.00
40	2002PS-2X20P	38.00	40.00	80	2002PS-2X40P	78.00	80.00
42	2002PS-2X21P	40.00	42.00				

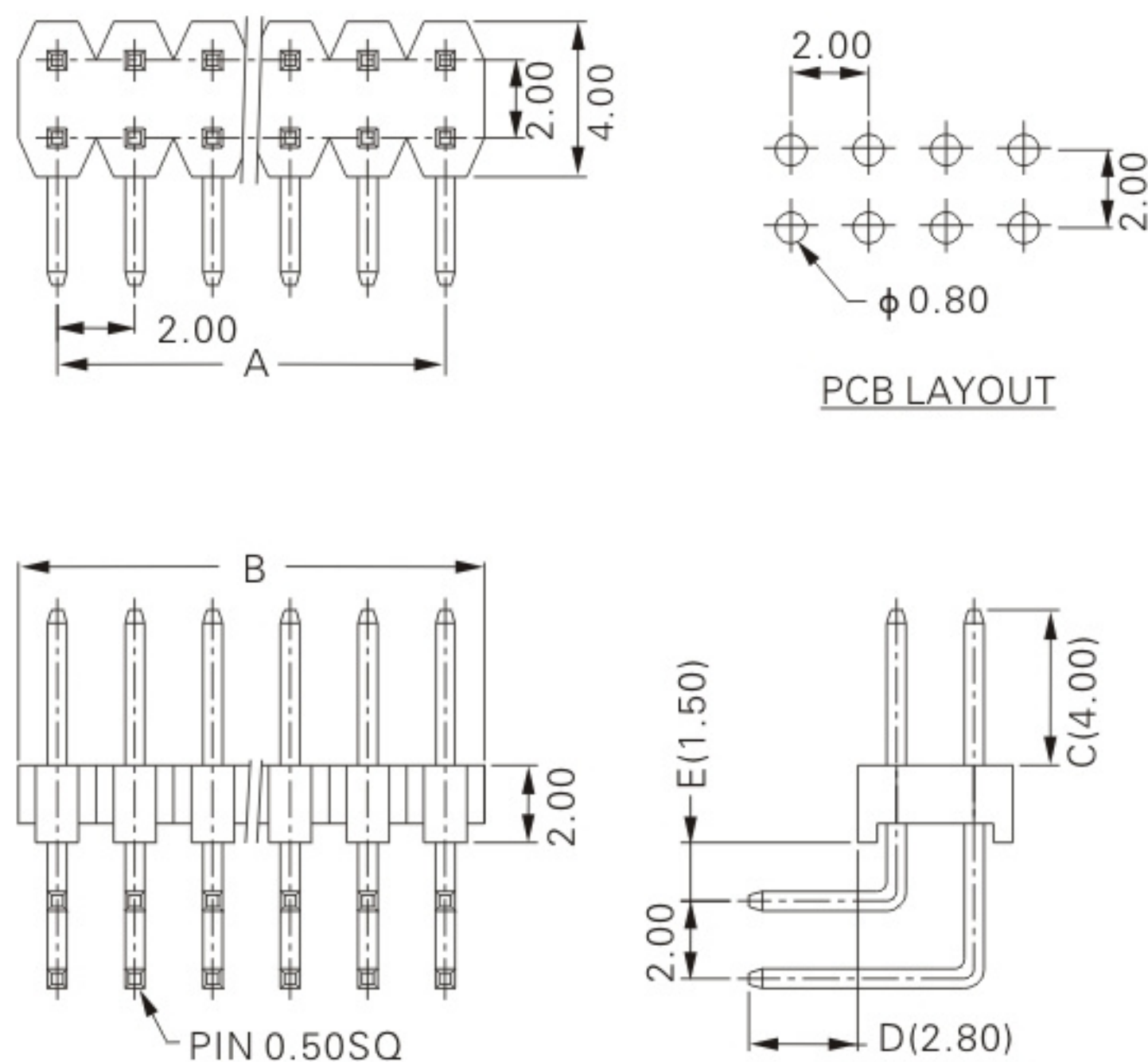
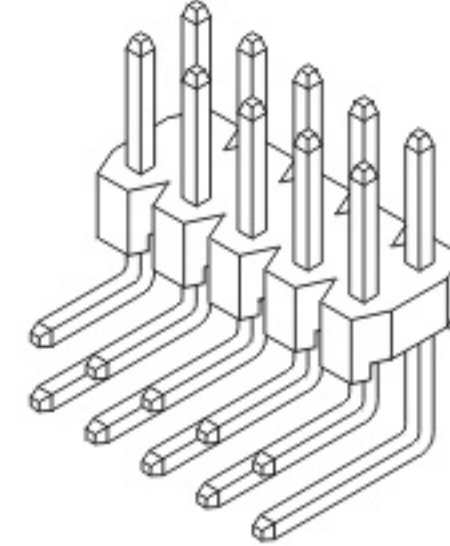
# 2004PR-2XNP (2.00mm pitch 90° dual row pin header)

## Reference Informations:

\*Material:Pin:Brass/Gold-flash

Wafer: PBT, UL 94V-0

\*Mates with 2032H series single row Housing



## Ordering Information & Dimensions

Circuits	Part No.	DIM.(mm)		Circuits	Part No.	DIM.(mm)	
		A	B			A	B
04	2004PR-2X02P	2.00	4.00	44	2004PR-2X22P	42.00	44.00
06	2004PR-2X03P	4.00	6.00	46	2004PR-2X23P	44.00	46.00
08	2004PR-2X04P	6.00	8.00	48	2004PR-2X24P	46.00	48.00
10	2004PR-2X05P	8.00	10.00	50	2004PR-2X25P	48.00	50.00
12	2004PR-2X06P	10.00	12.00	52	2004PR-2X26P	50.00	52.00
14	2004PR-2X07P	12.00	14.00	54	2004PR-2X27P	52.00	54.00
16	2004PR-2X08P	14.00	16.00	56	2004PR-2X28P	54.00	56.00
18	2004PR-2X09P	16.00	18.00	58	2004PR-2X29P	56.00	58.00
20	2004PR-2X10P	18.00	20.00	60	2004PR-2X30P	58.00	60.00
22	2004PR-2X11P	20.00	22.00	62	2004PR-2X31P	60.00	62.00
24	2004PR-2X12P	22.00	24.00	64	2004PR-2X32P	62.00	64.00
26	2004PR-2X13P	24.00	26.00	66	2004PR-2X33P	64.00	66.00
28	2004PR-2X14P	26.00	28.00	68	2004PR-2X34P	66.00	68.00
30	2004PR-2X15P	28.00	30.00	70	2004PR-2X35P	68.00	70.00
32	2004PR-2X16P	30.00	32.00	72	2004PR-2X36P	70.00	72.00
34	2004PR-2X17P	32.00	34.00	74	2004PR-2X37P	72.00	74.00
36	2004PR-2X18P	34.00	36.00	76	2004PR-2X38P	74.00	76.00
38	2004PR-2X19P	36.00	38.00	78	2004PR-2X39P	76.00	78.00
40	2004PR-2X20P	38.00	40.00	80	2004PR-2X40P	78.00	80.00
42	2004PR-2X21P	40.00	42.00				